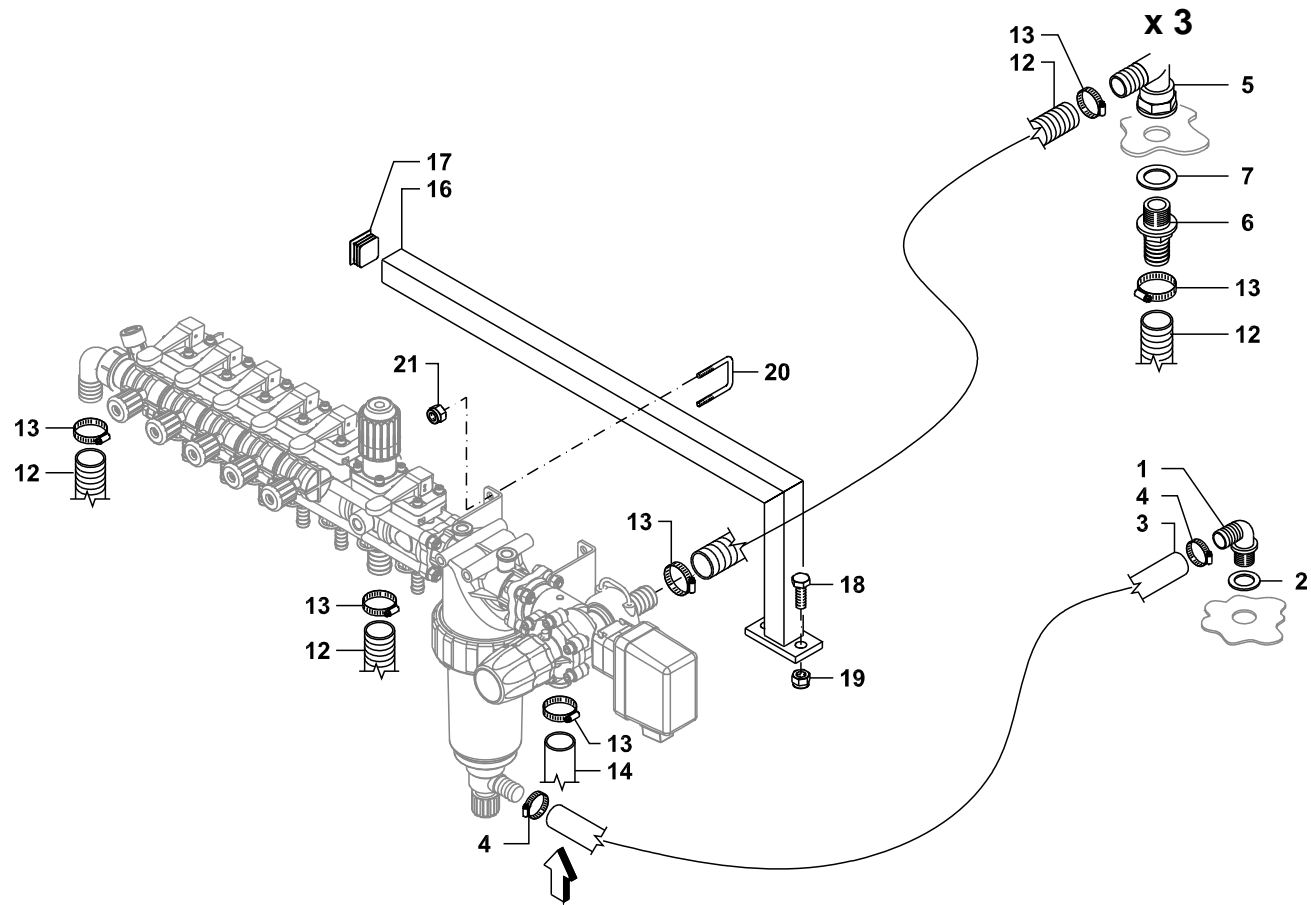
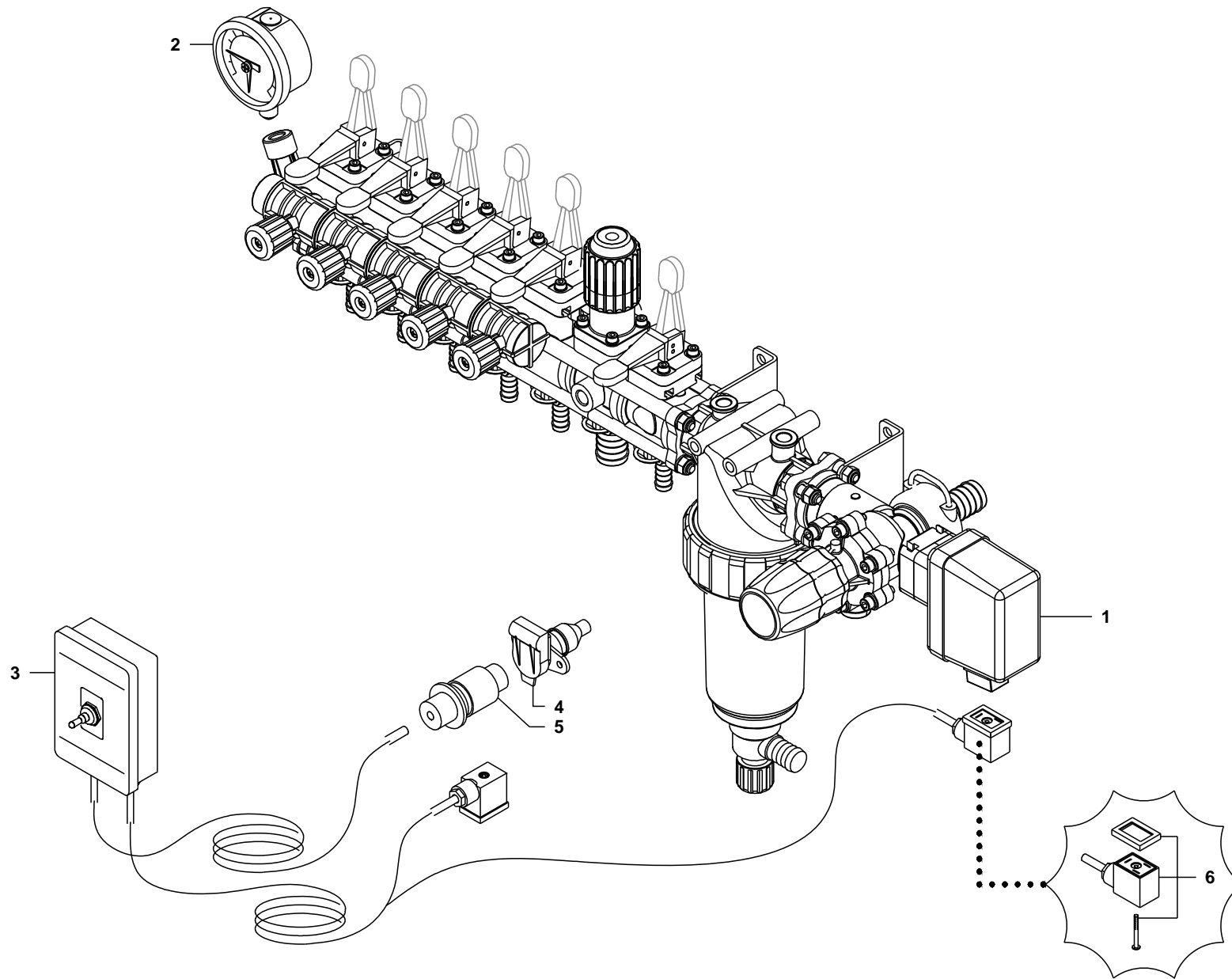


1	BG001438	
2	GG500100020Z	
3	GG919800004Z	
4	GG610420209	200l.
4	GG610420309	300l.
4	GG610420409	400l.
5	GGA00300120	
6	GG610420015	
7	GG630100020	
8	GG680000017	
9	GGA00504105	
10	GGA00G40005	
11	BG009758	
12	GGA00116530	
13	GGA00G10051	
14	GGA002002050	
15	GG563080000	D.30mm
16	GG919725035X	
17	GGA00106630	
18	GGA00G10061	
19	GGA002002060	
20	BG019378	1"1/2
21	GGA314003.030	50 Mesh
22	GG907008017Z	
23	GG900108016Z	
24	GGA00116630	
25	GGA00502010	
29	GG999900035	
30	GG561301000	
31	GG919711020X	
32	GGA00220040	
33	GGA00G40004	
34	GGA002102040	
35	GGA00G40014	
36	GGA002052040	
37	GGA00356040	
38	A- 356040.020NB	
39	GGA350440.020	
40	GG919848035	

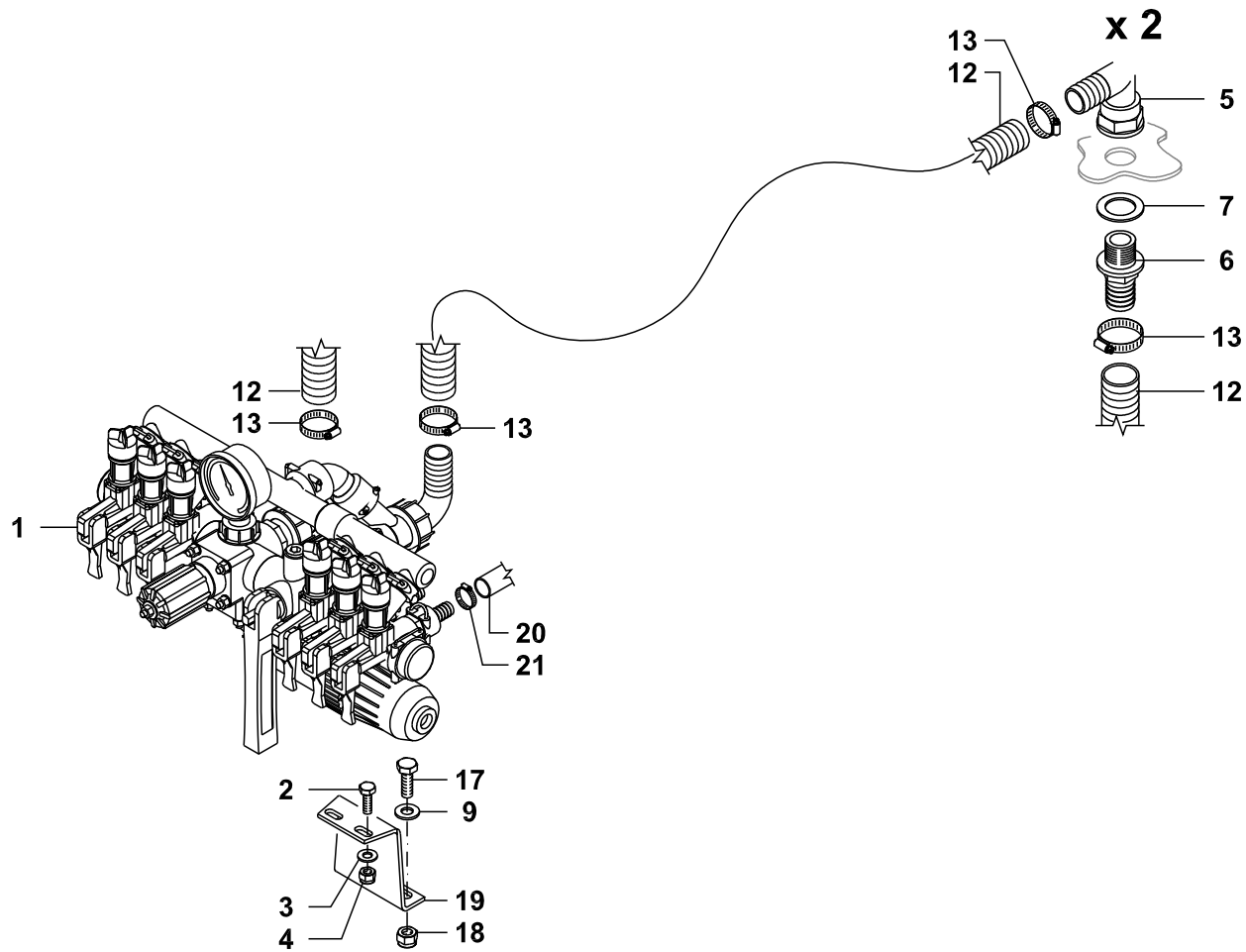


- 1 BG011332
- 2 GGA00G40002
- 3 GG562092000
- 4 GG919701001
- 5 BG019109
- 6 BG013227
- 7 GGA00G40003
- 12 GG562580000
- 13 GG919725035X
- 14 GG562501000
- 15 GG562592000
- 16 GG650300008V
- 16 GG650300013V
- 17 GG950130030
- 18 GG900110030Z
- 19 GG905400010
- 20 GG500500004Z
- 21 GG905300006

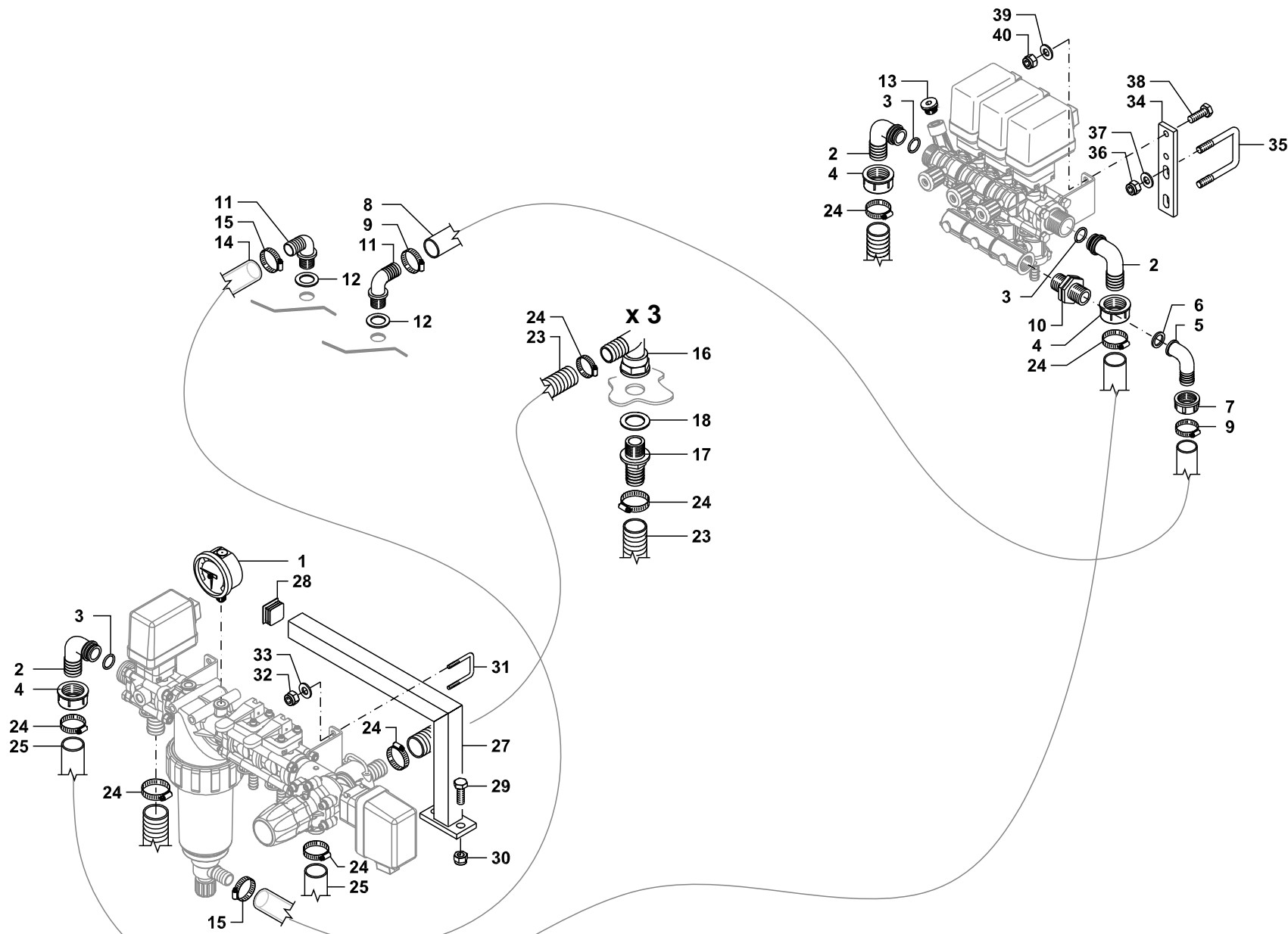
5 functions
3 functions



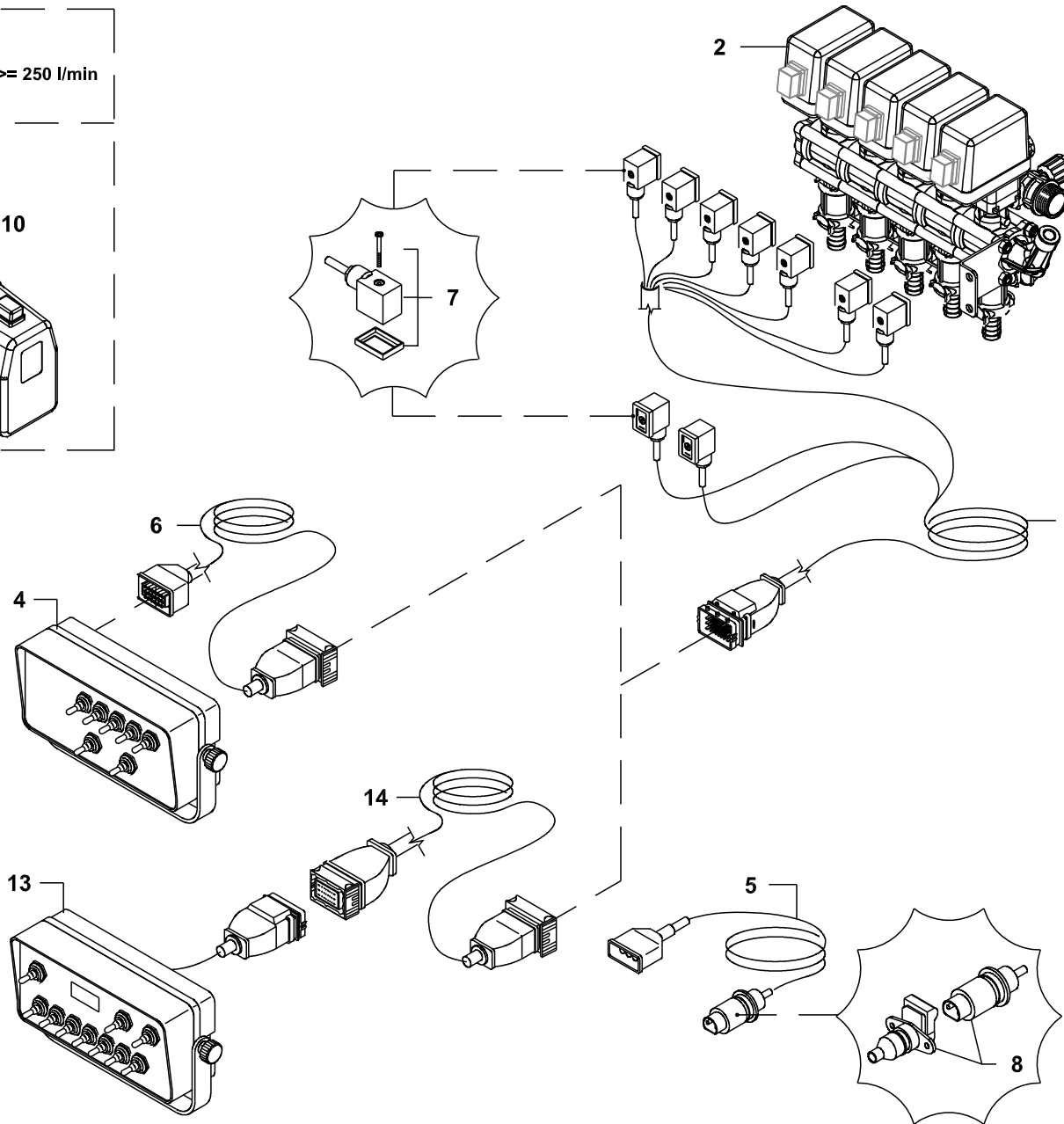
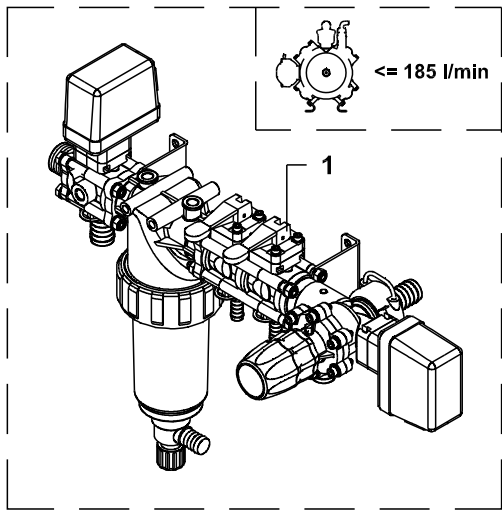
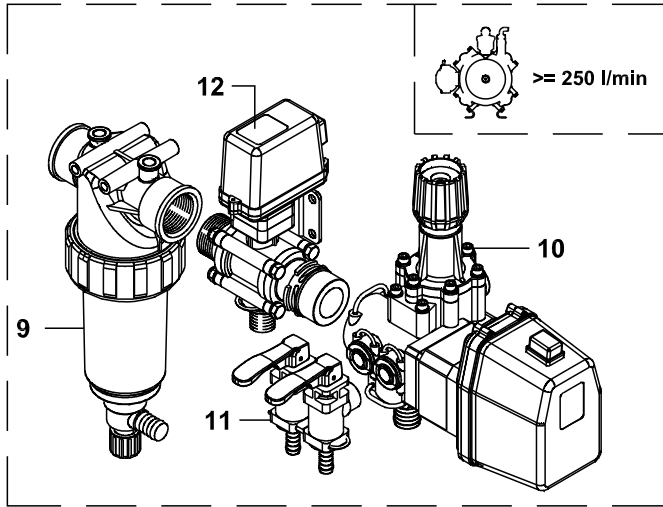
1	GGA00471CGA08	3 vie + 1
1	GGA00471CGA09	5 vie + 1
2	GG680000028	
3	BG020373	
4	GG810100069	
5	GG810100047	
6	GGA00ECS0015	



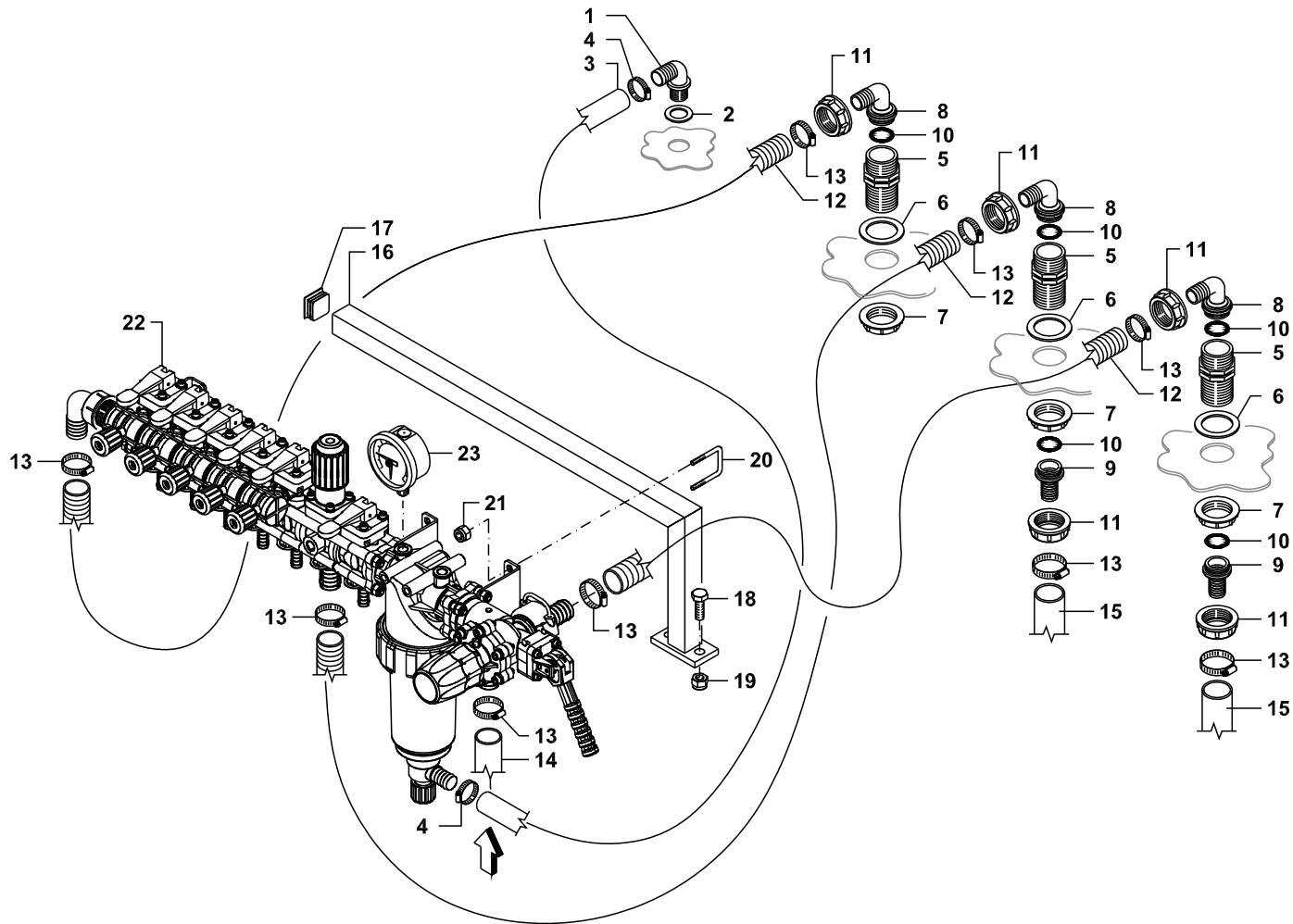
1	GGAR1357/01	4 vie
1	GGAR1359/01	6 vie
2	GG900108025Z	
3	GG907008017Z	
4	GG905400008	
5	BG019109	
6	BG013227	
7	GGA00G40003	
12	GG562580000	
13	GG919725035X	
15	GG562592000	
16	GG501100022V	
17	GG900110030Z	
18	GG905400010	
19	GG907010021Z	
20	GG561301000	
21	GG919711020X	



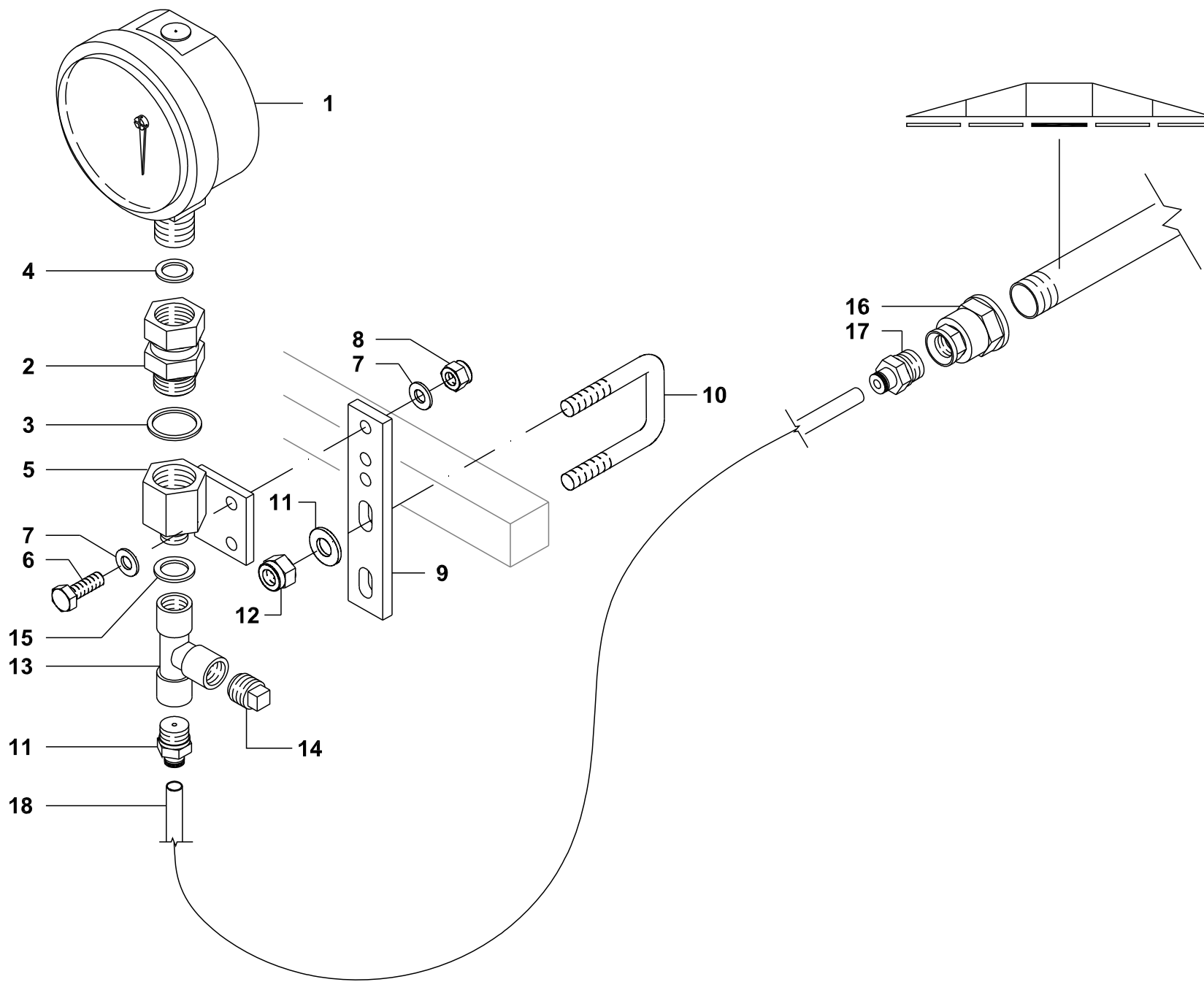
1	GG680000028
2	GGA00116425
3	GGA00G10041V
4	GGA002002040
5	GGA00115320
6	GGA00G40013
7	GGA002002030
8	GG561900000
9	GG919714027X
10	GGA002502030
11	BG011332
12	GGA00G40002
13	GG570100036Z
14	GG562092000
15	GG919701001
16	BG019109
17	BG0193227
18	GGA00G40003
23	GG562580000
24	GG919725035X
25	GG562501000
27	GG650300013V
28	GG950130030
29	GG900110030Z
30	GG905400010
31	GG500500004Z
32	GG905300006
33	GG907106018Z
34	GG650300015V
35	GG500500002Z
36	GG905300010
37	GG907010021Z
38	GG900108025Z
39	GG907008017Z
40	GG905400008



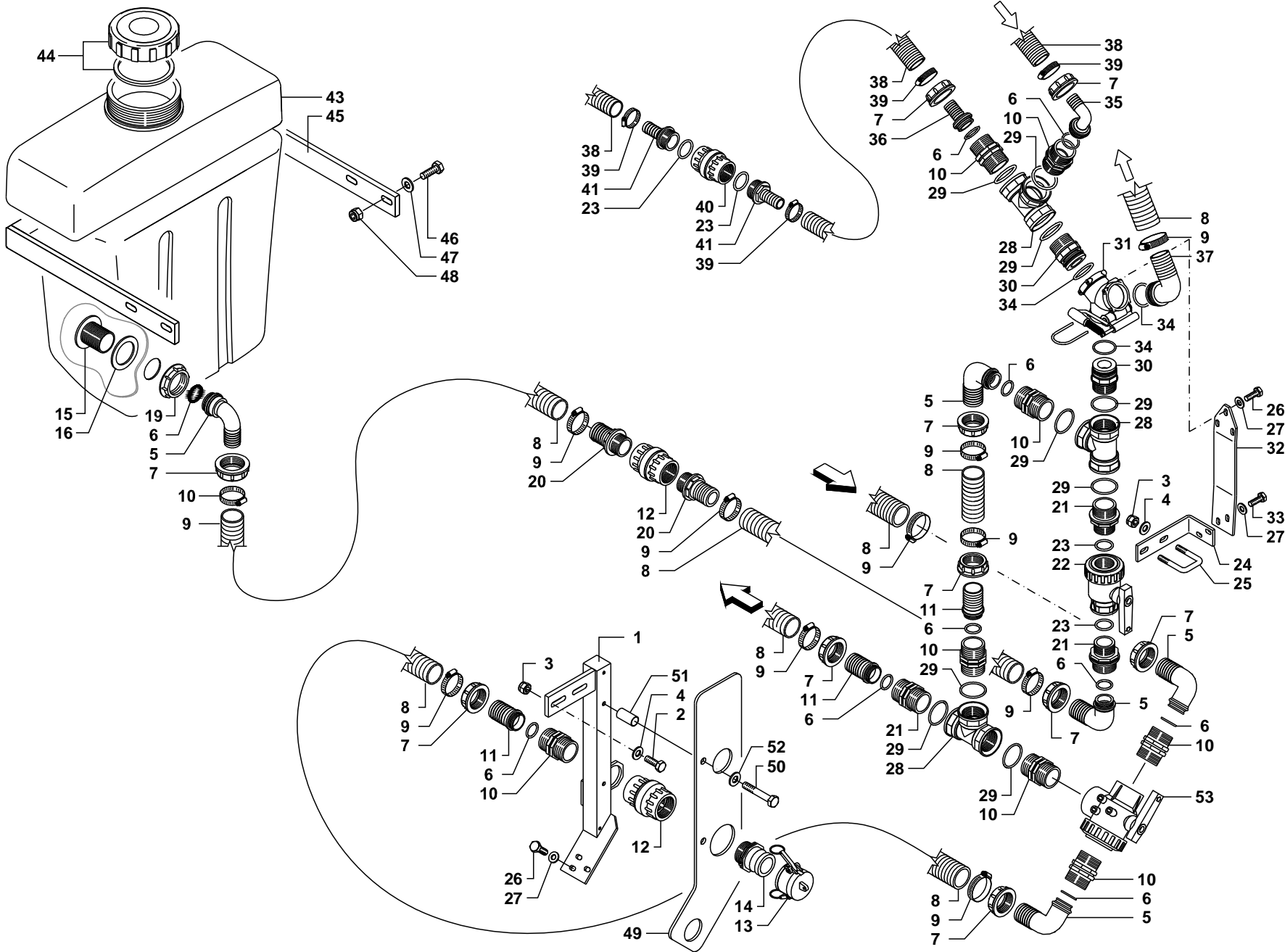
1	GGA00471CGA11	
2	GGA00463CGA13	5 funz.
2	GGA00463CGA14	7 funz.
3	BG020265	
4	BG020270	5 funz.
5	GGA466550.080	
6	BG020268	
7	GGA00ECS0015	
8	GGA00466111	
9	GGA0032821535	
10	GGA004642502	
11	GGA464402.150	
12	BG020120	
13	BG021263	7 funz.
14	BG021729	



1	BG011332	
2	GGA00G40002	
3	GG562092000	
4	GG919701001	
5	GGA002502061	
6	GGA00G40006	
7	GGA002052060	
8	GGA00116625	
9	GGA00106625	
10	GGA00G10061	
11	GGA002002060	
12	GG562580000	
13	GG919717032X	
14	GG562501000	
15	GG562592000	
16	GG650300008V	
17	GG950130030	
18	GG900110030Z	
19	GG905400010	
20	GG500500004Z	
21	GG905300006	
22	GGA00471CGA03	3 vie + 1
22	GGA00471CGA04	5 vie + 1
23	GG680000028	

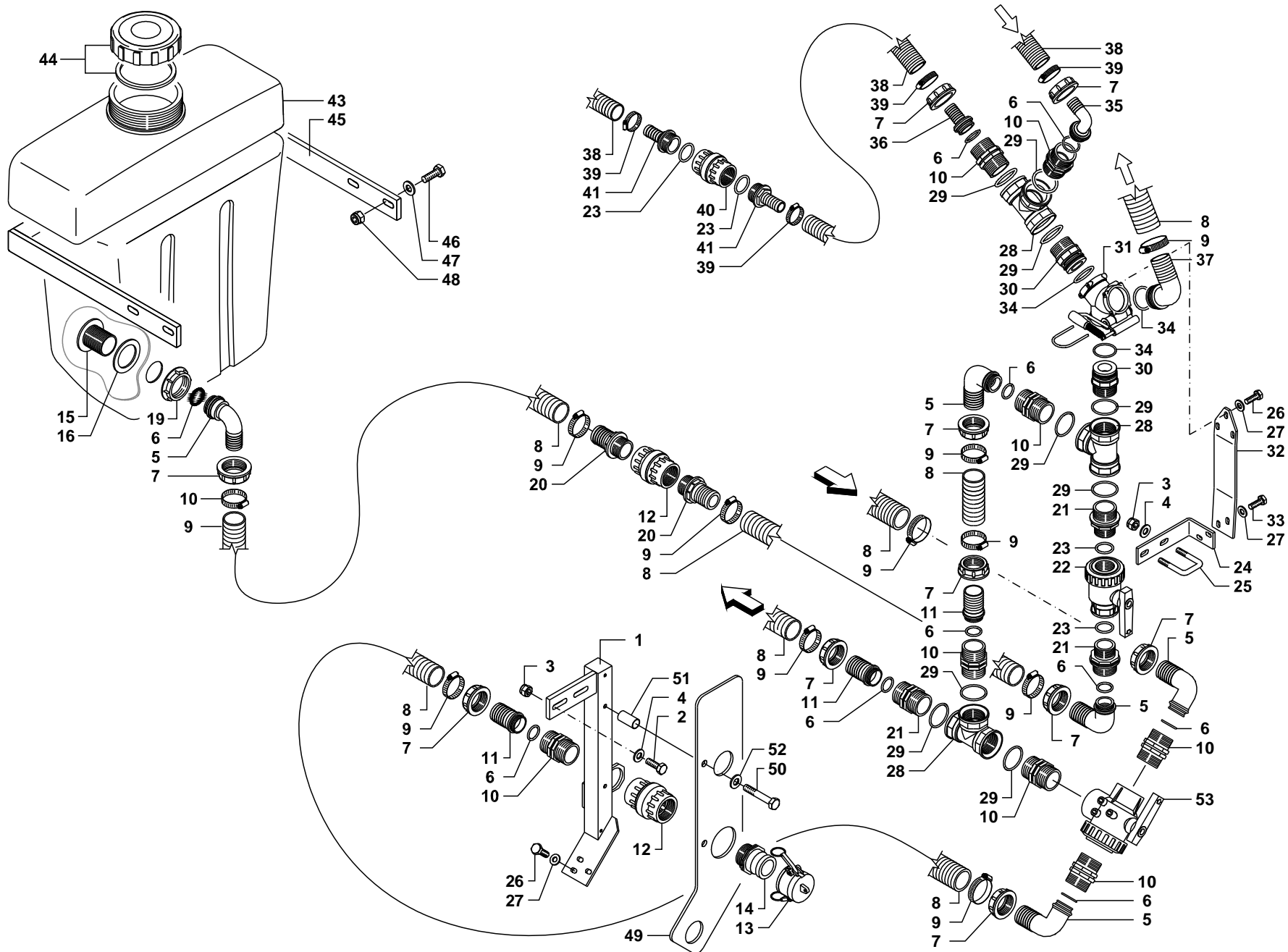


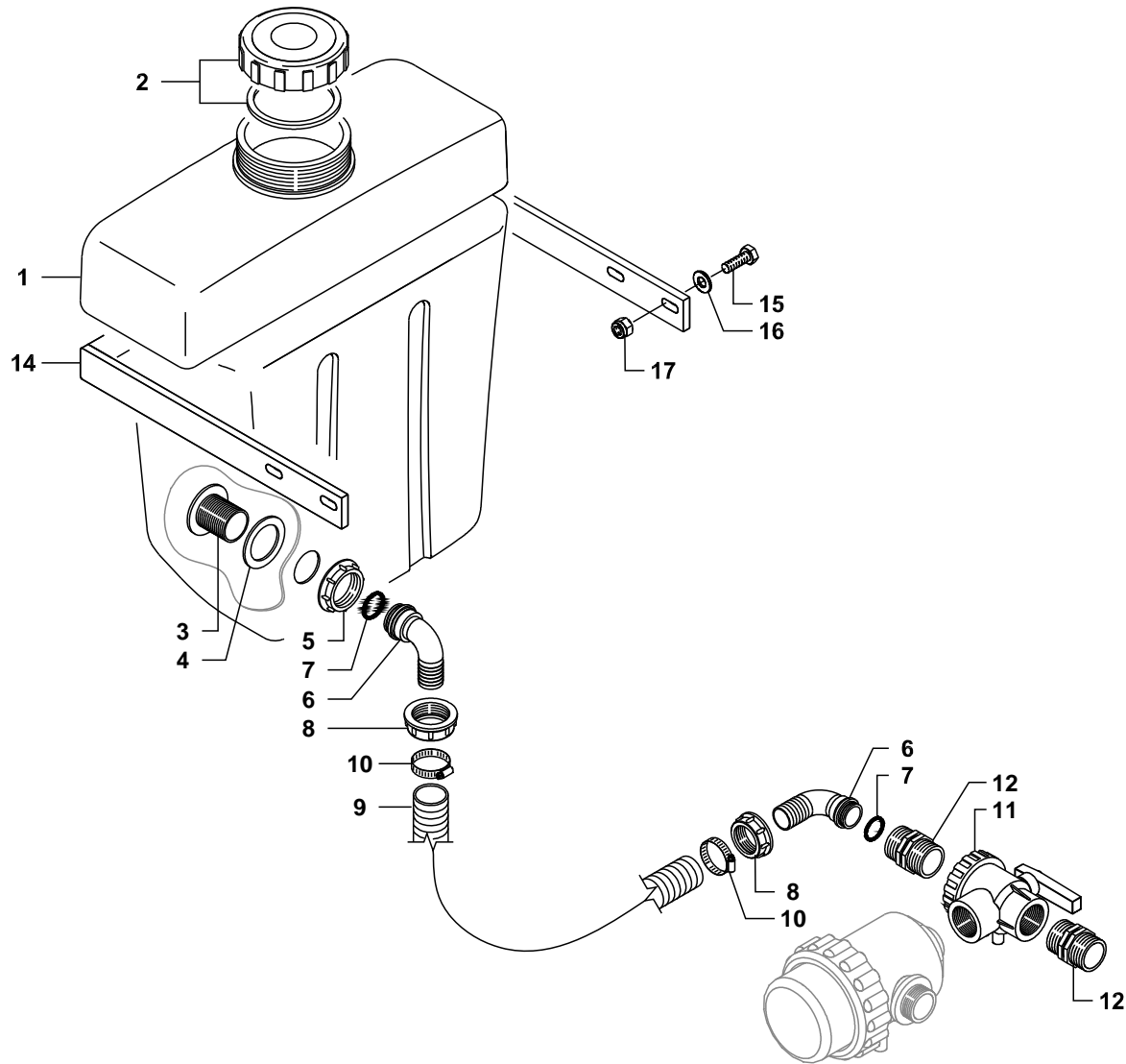
1	BG023977
2	GG740000047Z
3	BB50243121
4	BG016398
5	GG392000230Z
6	GG900106025Z
7	GG907106018Z
8	GG905300006
9	BG020404
10	GG500500001Z
11	GG907010021Z
12	GG905400010
13	GG570100034Z
14	GG570100036Z
15	BB50243113
16	GGA002352020
17	GG820110007
18	GG560284000



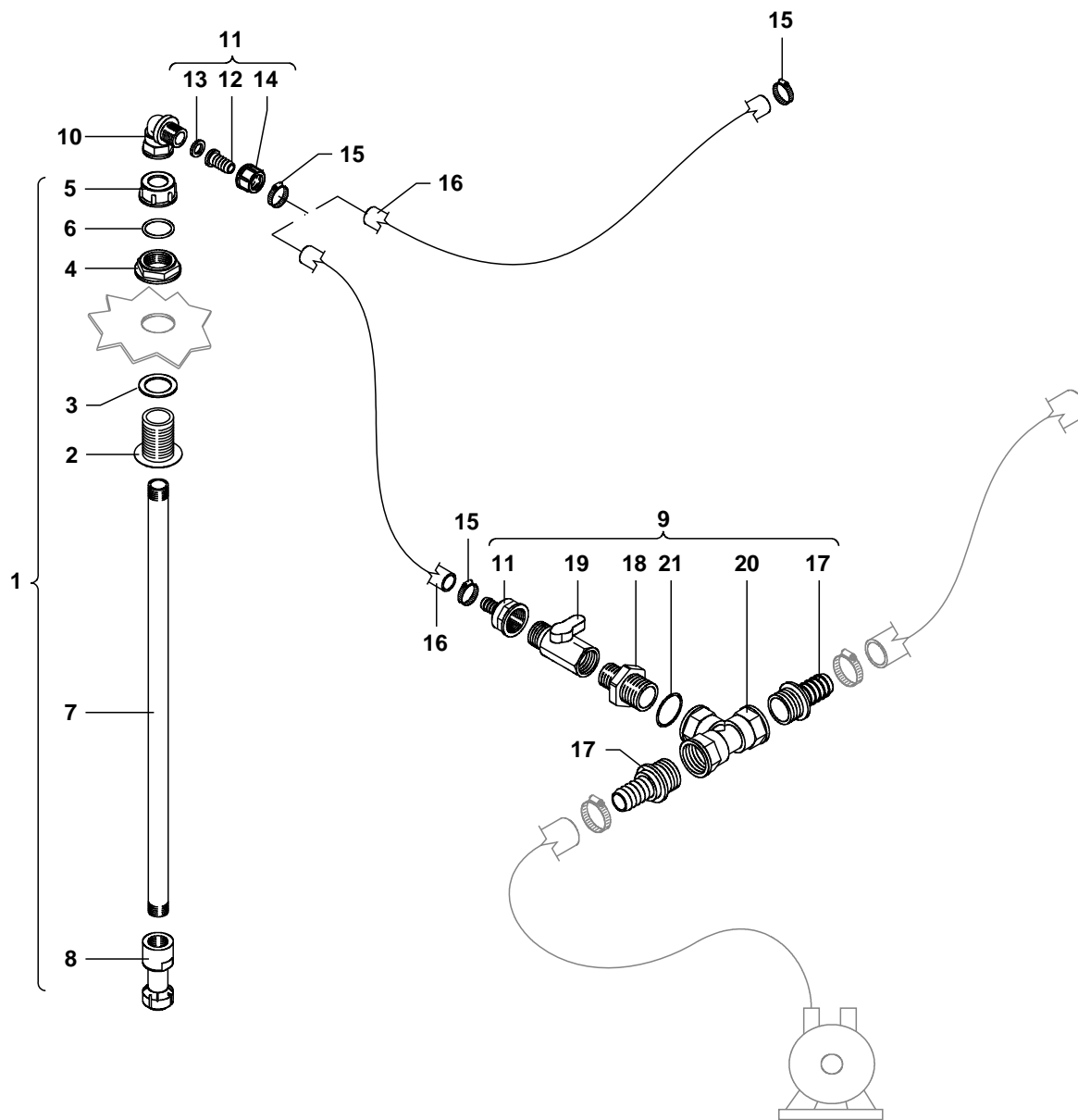
- 1 GG300600110V
- 2 GG900110035Z
- 3 GG905300010
- 4 GG907111030Z
- 5 GGA00116640
- 6 GGA00G10061
- 7 GGA002002060
- 8 GG564080000
- 9 GG919732044X
- 10 GGA002502060
- 11 GGA00106640
- 12 GGA00504015
- 13 GGA0018106H
- 14 GGA0018106F
- 15 GGA00220060
- 16 GGA00G40006
- 19 GGA002052060
- 20 BG014276
- 21 GGA002402065
- 22 GGA004542135
- 23 GGA00G10052
- 24 GG501100070V
- 25 GG500500001Z
- 26 GG900108016Z
- 27 GG907008017Z
- 28 GGA001302060
- 29 GGA00G10062
- 30 GGA00460360
- 31 GGA00452200
- 32 GG501100071V
- 33 GG900108025Z
- 34 GGA460000.210
- 35 GGA00116625
- 36 GGA00106625
- 37 GGA00460140
- 38 GG562580000
- 39 GG919717032X
- 40 GGA00504010
- 41 BG014272
- 43 GG610420060
- 44 BG003722
- 45 BG020108
- 45 BG020106
- 46 GG900112035Z
- 47 GG907012025Z
- 48 GG905300012
- 49 GG300600175
- 50 BG002728
- 51 GG300600178
- 52 GG907108024Z

200-300-400
600

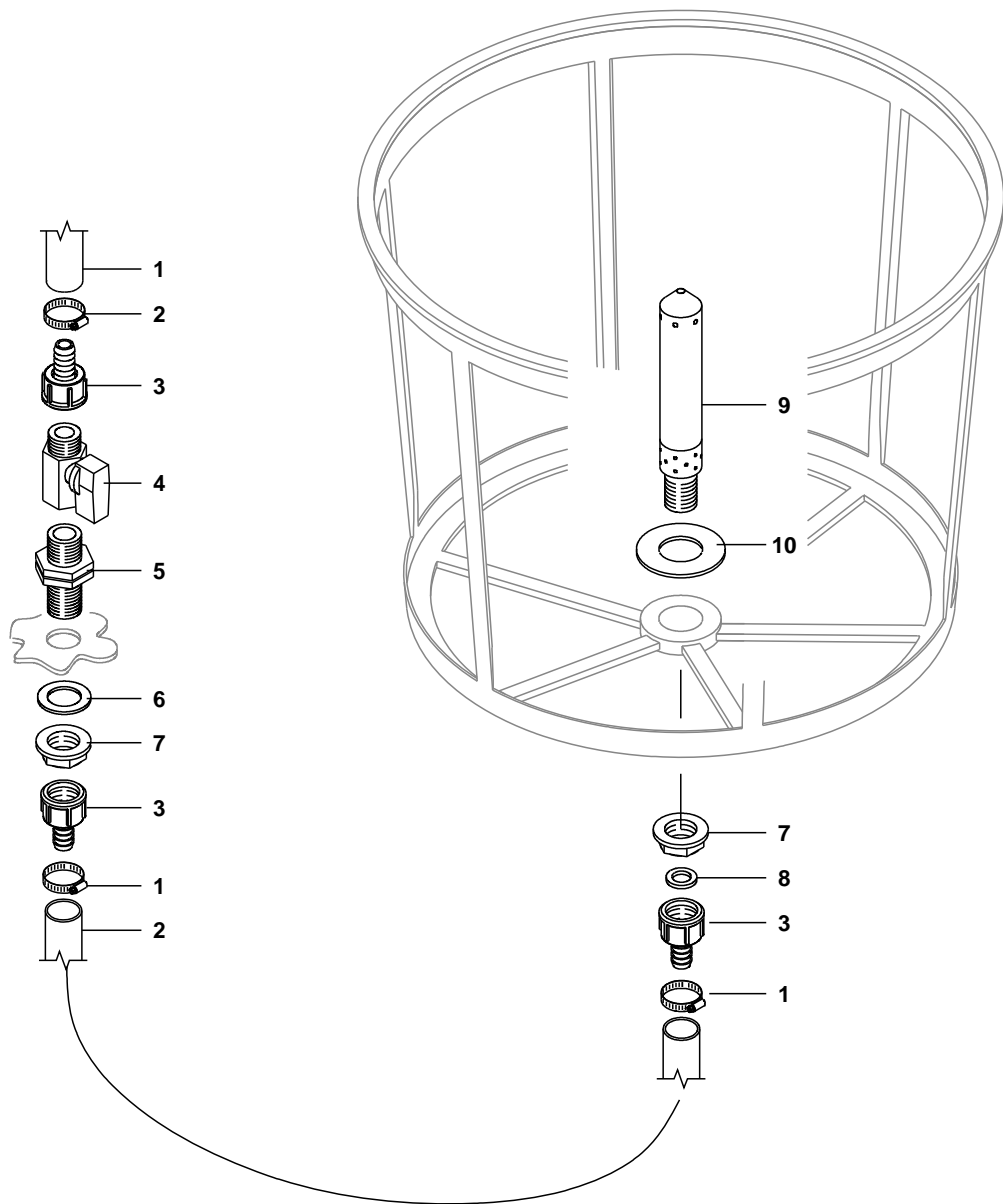




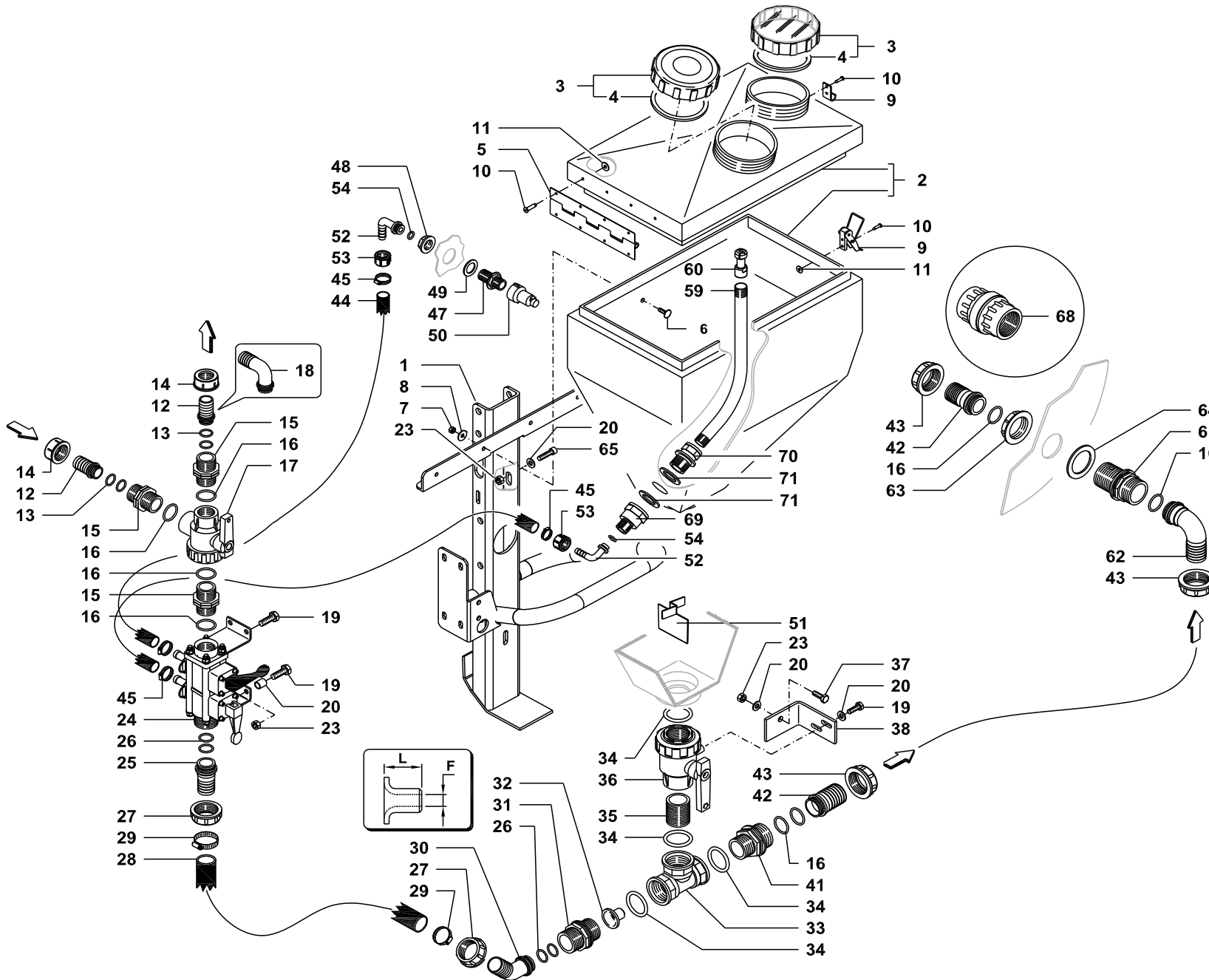
1	GG610420060	
2	BG003722	
3	GGA00220060	
4	GGA00G40006	
5	GGA002052060	
6	BG019381	
7	GGA00G10061	
8	GGA002002060	
9	GG563080000	
10	GG919725035X	
11	BG019380	
12	GGA002502060	
14	BG020108	200-300-400
14	BG020106	600
15	GG900112030Z	
16	GG907012025Z	
17	GG905300012	



1	GG680000075
2	GGA00220040SS
3	GGA00G400004
4	GGA002052040
5	GGA002102040S
6	GG600200211
7	GG550000570
8	BG027143
9	GG993100057
10	GGA001262022
11	GG999900035
12	GGA00105213
13	GGA00G40012
14	GGA002002020
15	GG919713020
16	GG561301200
17	GGA001033255
18	GGA002402032
19	GG570100014
20	GGA001302030
21	BG019111



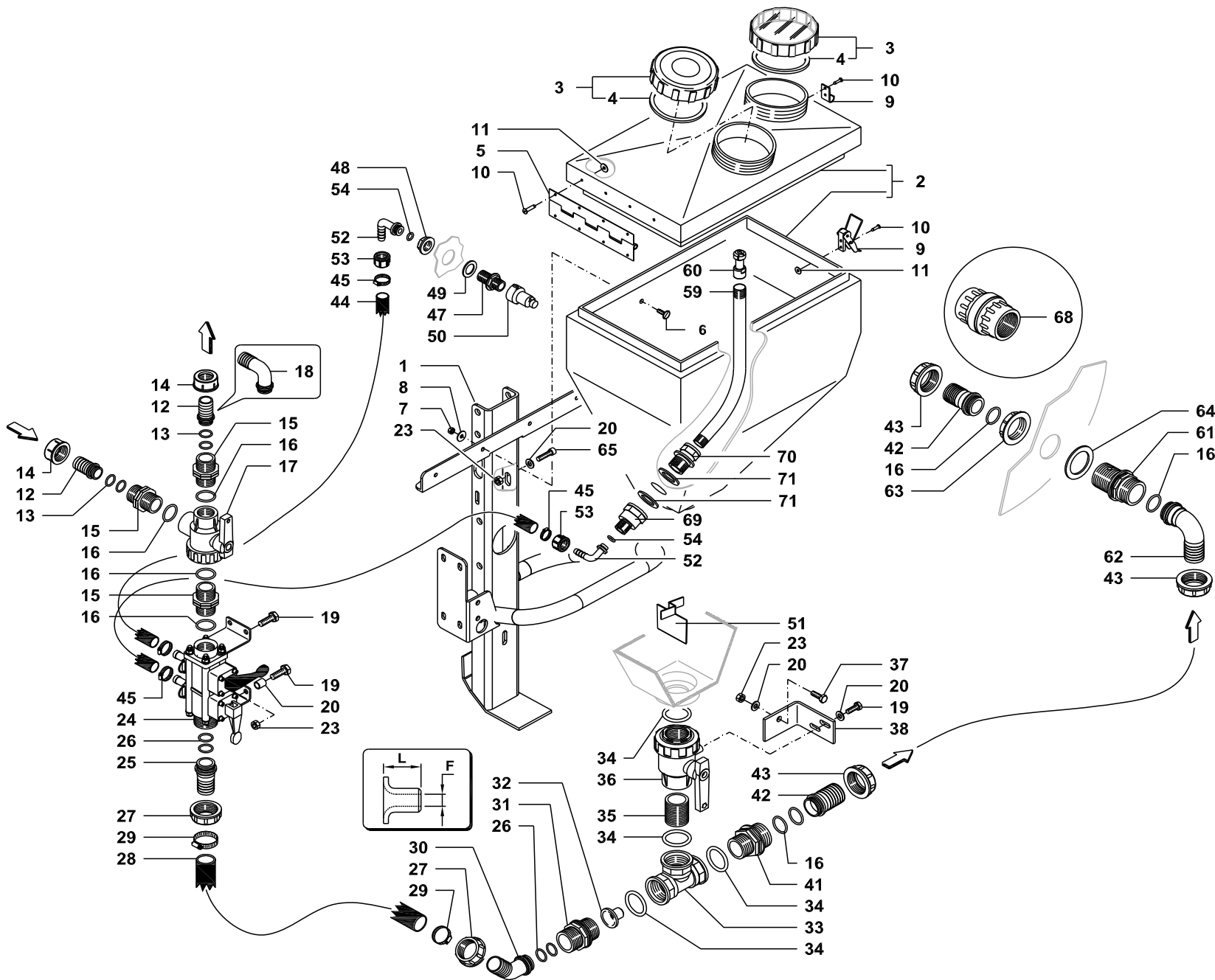
- 1 GG561301000
- 2 GG919711020X
- 3 GG999900035
- 4 GG570100014
- 5 GGA002502021
- 6 GGA00G40002
- 7 GGA002052020
- 8 GGA00G40012
- 9 GGKROB.3206061
- 10 GGKROB.3206062



- 1 BG025370
- 2 BG024722
- 3 BG013981 F3
- 4 BG013981 N3
- 5 GG680001023
- 6 GG904706020X
- 7 GG905400006X
- 8 GG907106018X
- 9 GG680001024
- 10 GG680001125
- 11 GG907104012X
- 12 GGA00106425
- 13 GGA00G10041
- 14 GGA002002040
- 15 GGA002502040
- 16 GGA00G10061
- 17 GGA004542234H
- 18 GGA00116425
- 19 GG900108016Z
- 20 GG907008017Z
- 23 GG905400008
- 24 BG025410
- 25 GGA00106530
- 26 GGA00G10051
- 27 GGA002002050
- 28 BG023178
- 29 GG019717032X
- 30 GGA00117530
- 31 GGA002502050
- 32 GG680001042
- 32 GG680001052
- 33 GGA001302050
- 34 GG600206162
- 35 GGA00230551
- 36 GGA004542135
- 37 GG900108025Z
- 38 BG020330
- 41 GGA002402065
- 42 GGA00106640
- 43 GGA002002060
- 44 GG561001000
- 45 BG019266
- 47 GGA002502021S
- 48 GGA00205020
- 49 GGA00G40002
- 50 BG023130
- 51 GG680001026
- 52 GGA00116210
- 53 GGA002002020
- 54 BG019117

F=10 L=40
F=8 L=40

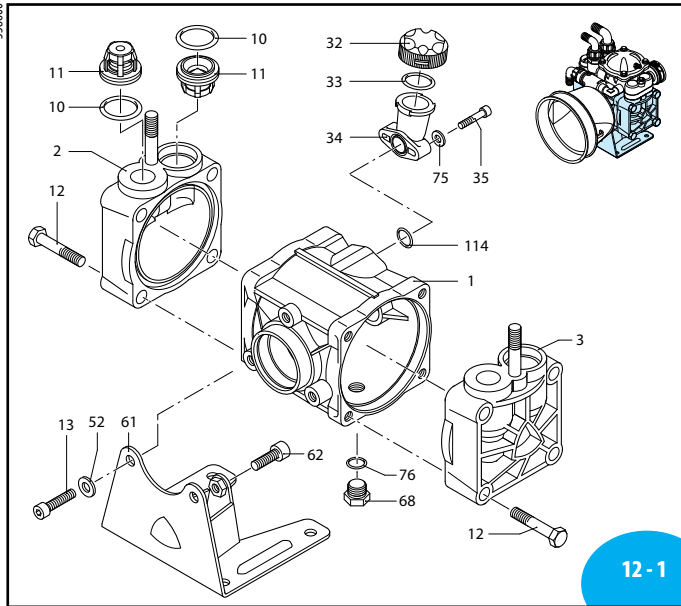
MIXER 30 L



59	GG550110011	
60	BG027231	
61	GGA002502061S	
62	GGA00116640	D=40
63	GGA002052060	
64	GGA00G40006	
65	GG900508022Z	
68	GGA00504015	
69	BG020958	
70	GGA002452032	
71	GGA00G40015	

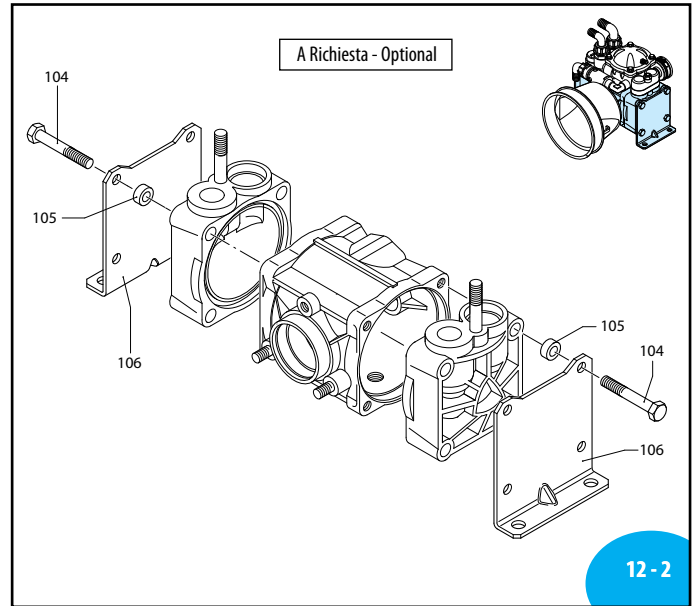
MIXER 30 L

558600



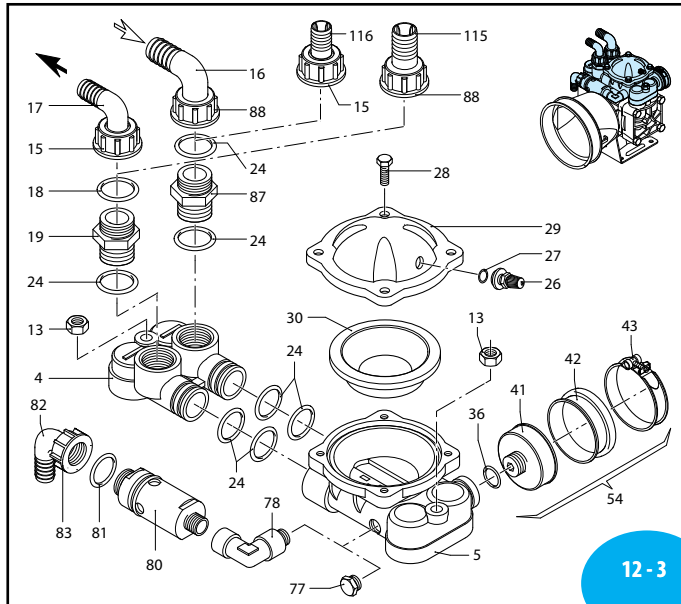
12-1

SLO00310-BU



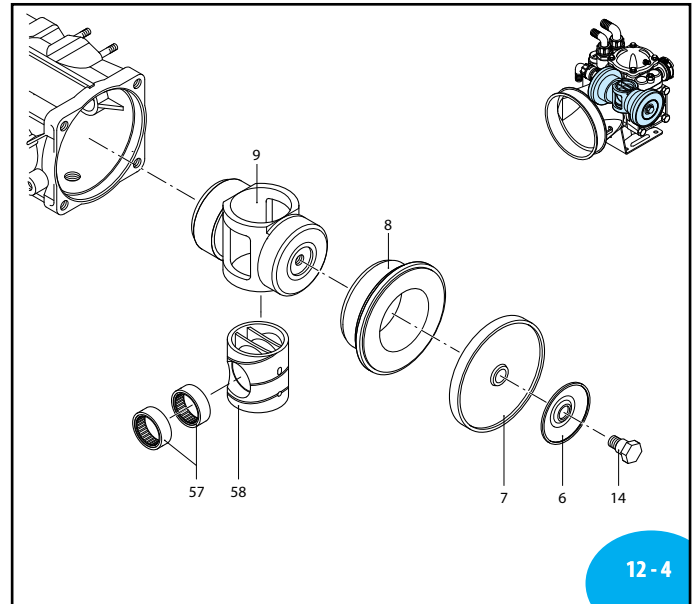
12-2

UN000796-ED



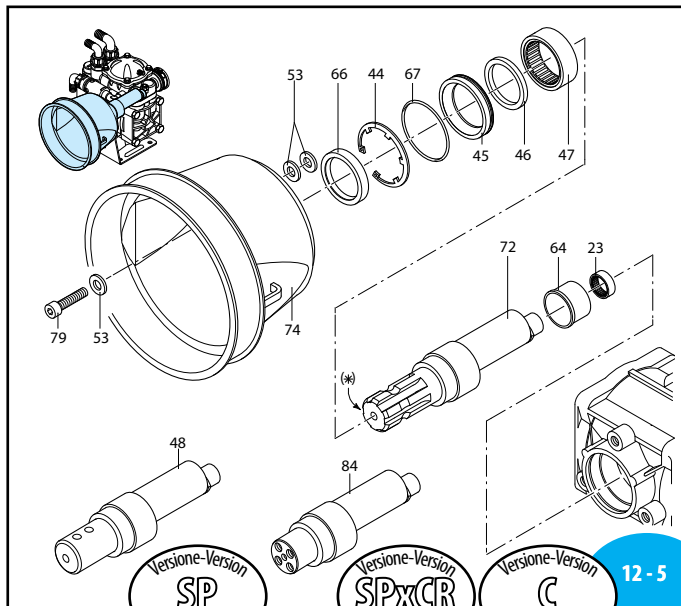
12-3

SLO00311-BU



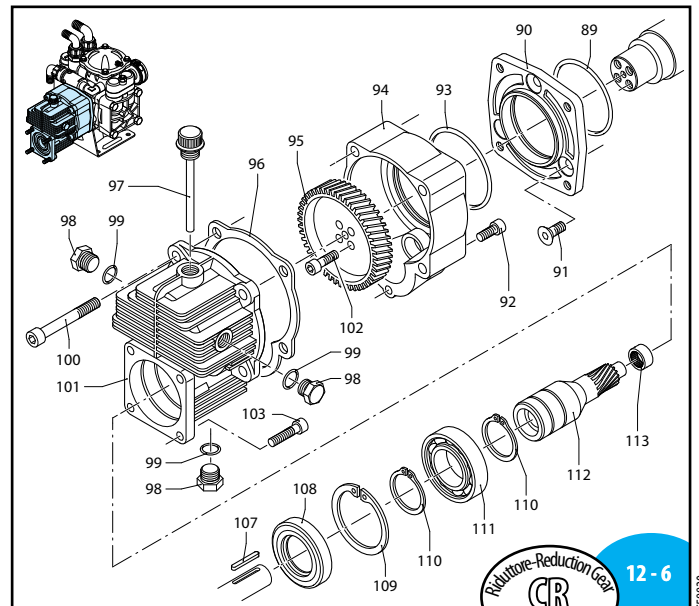
12-4

UN000478-DD



12-5

UN000477-DD



12-6

UN000479-IC

Versione-Version
SP

Versione-Version
SPxCR

Versione-Version
C

Reduttore-Reduction Gear
CR

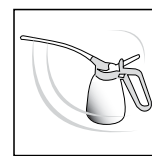
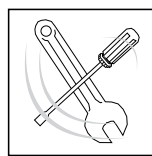
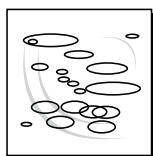
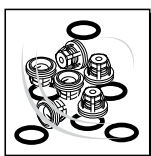
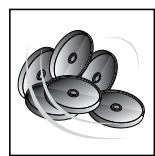
AR 70 bp

Pos.	Cod.	Descrizione	Description	Q.ty	Note
1	550011	Corpo pompa	Pump body	1	
2	550101	Testa valvola DX	Right head	1	
3	550102	Testa valvola SX	Left head	1	
4	550150	Attacco	Manifold	1	
5	550180	Semisfera inferiore	Lower air chamber	1	
6	580370	Piattello	Plate	2	(a)
	550080	Membrana	Diaphragm	2	Gomma
	550084	Membrana	Diaphragm	2	Viton
	550085	Membrana	Diaphragm	2	Desmopan
	550086	Membrana	Diaphragm	2	Hpds
8	550110	Camicia	Sleeve	2	
9	550120	Pistone	Piston	1	
10	320030	OR ø 31,5x4,5	O-Ring	4	90Sh ☒
11	759051	Valvola completa	Complete valve	4	
12	551040	Vite TE M 10x55	Bolt	8	Geomet C ₄₀
13	180152	Dado M 10	Nut	2	Geomet C ₄₀
14	580360	Perno membrana	Diaphragm pin	2	● C ₃₀
15	550880	Girello 1" G	Ring nut	1	
16	580040	Curva ø 30	Elbow	1	
17	550370	Curva ø 25	Elbow	1	
18	550350	OR ø 23,81x2,62	O-Ring	1	☒
19	550340	Nipples 1"G(M)-1"G(M)	Threaded adapter	1	
23	550310	Boccola a rullini	Roller bushing	1	↓
24	390290	OR ø 29x3	O-Ring	7	☒
26	550300	Valvola di gonfiaggio	Air valve	1	C ₃
27	650542	Guarnizione	Gasket	1	
28	550680	Vite TE M 8x20	Bolt	4	C ₂₀
29	550233	Semisfera superiore	Upper air chamber	1	Nera / Black
	550190	Semicamera aria	Semi air chamber	1	Gomma
	550191	Semicamera aria	Semi air chamber	1	Saturflon
	550192	Semicamera aria	Semi air chamber	1	Viton
	550193	Semicamera aria	Semi air chamber	1	H.P.D.S.
32	550057	Tappo serbatoio olio	Oil tank cap	1	Nero / Black
33	550040	OR ø 26,65x2,62	O-Ring	1	
34	550030	Serbatoio olio	Oil tank	1	
35	850851	Vite TCEI M 6x30	Bolt	2	C ₁₀
36	180101	OR ø 17,5x2	O-Ring	1	●
41	650661	Porta membrana	Diaphragm holder	1	●
42	650670	Membranina asp.	Suction diaphragm	1	
43	651670	Fascetta	Clamp	1	
44	200391	Anello seeger	Circlip	1	
45	550470	Bussola anello tenuta	Gasket retainer	1	
46	550070	Rondella tenuta	Spacer ring	1	
47	550060	Boccola a rullini	Roller bushing	1	↓
48	550170	Albero eccentrico "SP"	"SP" shaft	1	(AL)
52	200233	Rosetta øi 10,5	Washer	2	Geomet
53	320621	Rosetta øi 10,5	Washer	5	Geomet
54	659209	Prem. membranina asp.	Suct. diaphragm assembly	1	
57	550280	Boccola a rullini	Roller bushing	2	↓
58	550140	Cilindro traina pistone	Cylinder	1	☒

Pos.	Cod.	Descrizione	Description	Q.ty	Note
61	580080	Piede corpo pompa	Base	1	
62	540301	Vite TCEI M 10x30	Bolt	1	Geomet C ₄₀
64	550160	Distanziale	Spacer	1	
66	550491	Anello tenuta	Seal ring	1	☒
67	650920	OR ø 53,65x2,62	O-Ring	1	☒
68	880530	Tappo 3/8" G	Plug	1	C ₂₀
72	550173	Albero eccentrico "C"	"C" shaft	1	(AM)
74	1500350	Protezione cardano	Cardan protection	1	
75	550332	Rosetta øi 6,5	Washer	2	Geomet
76	740290	OR ø 14x1,78	O-Ring	1	▶
77	330173	Tappo 1/2" G	Plug	1	● C ₂₀
78	881560	Gomito 90° 1/2" G (M)-(F)	Elbow	1	■
79	620472	Vite TCEI M 10x20	Bolt	3	Geomet C ₃₀
80	1609000	Valvola di sicurezza	Safety valve	1	■
81	880831	OR ø 15,54x2,62	O-Ring	1	Viton
82	550460	Curva ø 18	Elbow	1	
83	550450	Girello 3/4" G	Ring nut	1	
84	550175	Albero eccentric. "CRxS"	"CRxS" shaft	1	(AN)
87	450120	Nipples 1"-1"1/4 G (M)-(M)	Threaded adapter	1	
88	550870	Girello 1"1/4 G	Ring nut	1	
89	580230	OR ø 69,52x2,62	O-Ring	1	▶
90	550920	Flangia	Flange	1	
91	550950	Vite TSEI M 10x25	Bolt	3	● C ₂₀
92	180030	Vite TCEI M 8x20	Bolt	1	C ₂₅
93	620561	OR ø 78x2,5	O-Ring	1	☒
94	621000	Coperchio riduttore	Gear cap	1	
95	550930	Ruota dentata	Gear	1	Z=64
96	620950	Guarnizione scatola	Gasket	1	
97	1140370	Tappo olio + OR	Oil plug & o-ring	1	
98	1980740	Tappo 3/8" G	Plug	3	Ottone/Brass ● C ₂₀
99	740290	OR ø 14x1,78	O-Ring	3	
100	621010	Vite TCEI M 10x75	Bolt	4	● C ₂₅
101	620960	Scatola riduttore	Gear box	1	
102	540290	Vite TCEI M 8x25	Bolt	4	● C ₂₅
103	651000	Vite TCEI 5/16"	Bolt	4	24UNFx1" C ₂₀
104	1300361	Vite TE M 10x65	Bolt	8	Geomet C ₄₀
105	551030	Distanziale piede	Spacer	8	
106	551020	Piede	Base	2	
107	881090	Linguetta	Key	1	
108	961800	Anello tenuta	Seal ring	1	☒
109	961790	Anello seeger	Circlip	1	
110	320240	Anello seeger	Circlip	2	
111	961780	Cuscinetto	Bearing	1	☒
112	621660	Pignone	Pinion	1	Z=11
113	620990	Cuscinetto	Bearing	1	☒
114	180101	OR ø 17,5x2	O-Ring	1	▶
115	550210	Portagomma ø 25	Hose tail	1	
116	392190	Portagomma ø 40	Hose tail	1	

Bassa Pressione
Low Pressure

1532 C10455MG



KIT 2361	
Membrane gomma Buna diaphragms	
KIT 2362	
Membrane HPDS HPDS diaphragms	
KIT 2363	
Membrane Desmopan Desmopan diaphragms	
Pos.	Q.ty
7	2

KIT 2364	
Valvole Valves	
Pos.	Q.ty
10	4
11	4

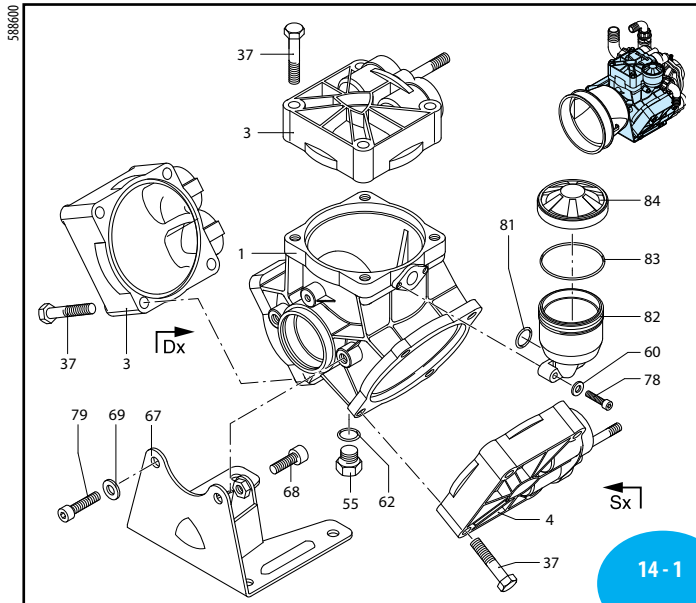
KIT 2365	
OR O-Rings	
Pos.	Q.ty
10	4
18	1
24	7
27	1
33	1
36	1
67	1
76	1

KIT 2366					
Pronto intervento membrane in gomma Maintenance repair buna diaphragm					
Pos.	Q.ty	Pos.	Q.ty	Pos.	Q.ty
6	1	24	7		
7	2	32	1		
10	4	33	1		
11	4	34	1		
14	1	36	1		
15	1	66	1		
16	1	87	1		
17	1	88	1		
18	1				
19	1				

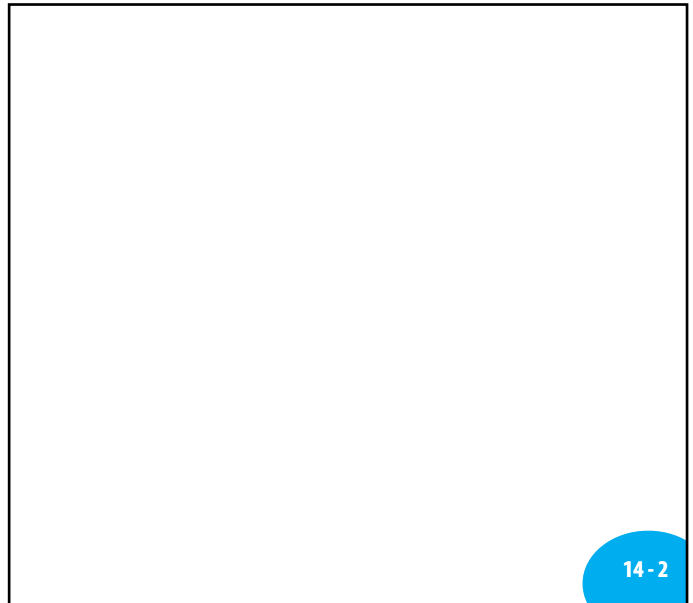
Olio utilizzato Used oil	
Tipo - Type	Kg
Pompa-Pump SAE 30	1
Ridut.-Gear box SAE 30	0,26

(a) Montare con GRASSO PG 54 fra piattello e membrana
(a) During assembling use PG 54 GREASE between plate and diaphragm

AR 115 bp - AR 135 bp - AR 115 bp/1000 giri-rpm

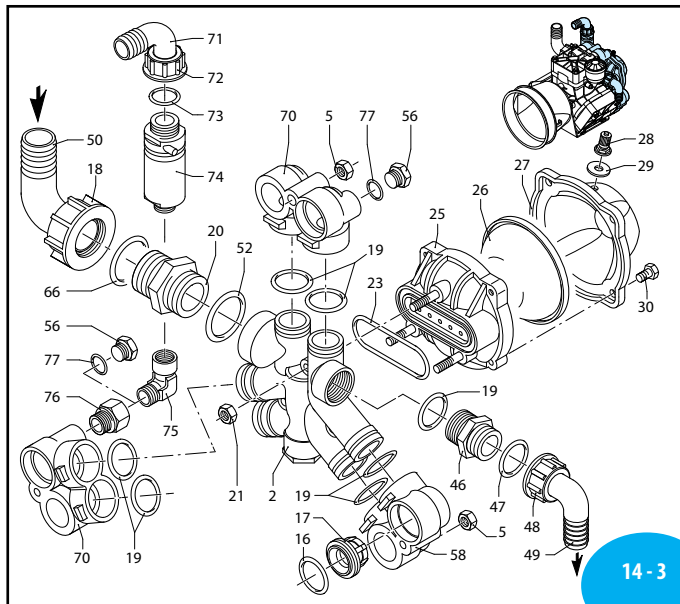


14 - 1

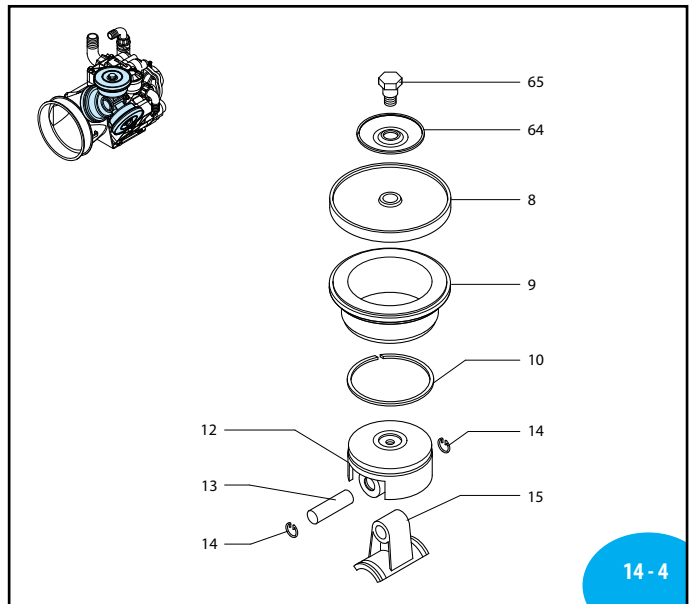


14 - 2

SL000061-EZ



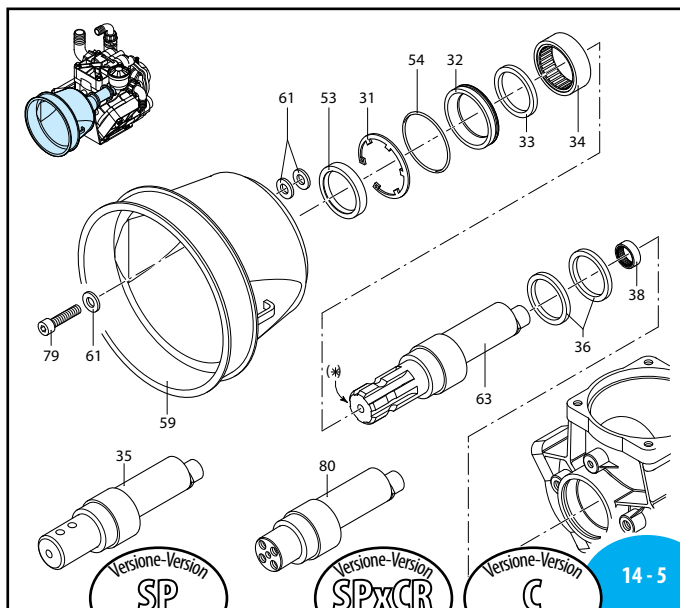
14 - 3



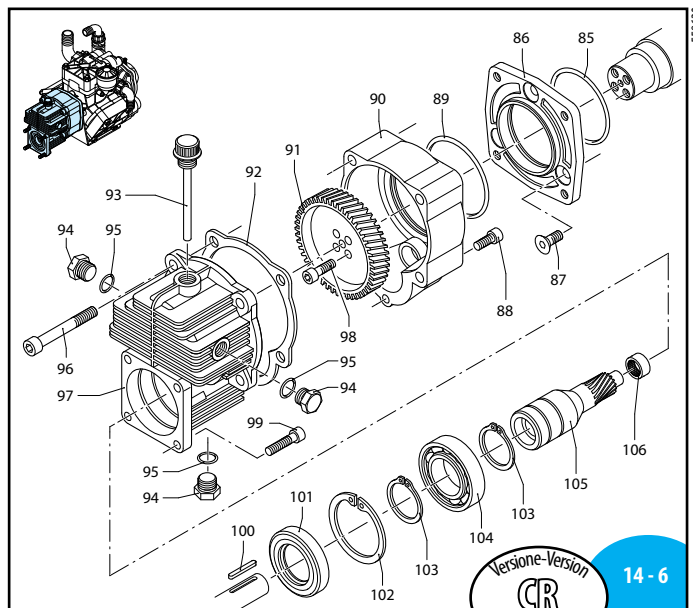
14 - 4

SL000062-EZ

UN990004-IB



14 - 5



14 - 6

UN990002-IB

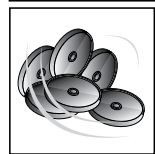
UN980017-IC

AR 115 bp - AR 135 bp - AR 115 bp/1000 giri-rpm

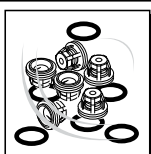
Pos.	Cod.	Descrizione	Description	Q.ty	Note
1	580013	Corpo pompa	Pump body	1	
2	580150	Condotto mand.- asp.	Manifold line	1	
3	550101	Testa valvola DX	Right head	2	
4	550102	Testa valvola SX	Left head	1	
5	180152	Dado M 10	Nut	3	Geomet C ₄₀
	550080	Membrana	Diaphragm	3	Gomma
	550084	Membrana	Diaphragm	3	Viton
	550085	Membrana	Diaphragm	3	Desmopan
	550086	Membrana	Diaphragm	3	H.P.D.S.
	580110	Camicia	Sleeve	3	AR 115 bp
	580350	Camicia	Sleeve	3	AR 135 bp
10	500260	Segmento	Piston ring	3	
12	580120	Pistone	Piston	3	
13	380300	Spinotto	Pin	3	☒
14	380080	Anellino spinotto	Pin ring	6	
15	580140	Biella	Connecting rod	3	
16	320030	OR ø 31,5x4,5	O-Ring	6	90 Sh ☒
17	759051	Valvola completa	Complete valve	6	
18	540541	Girello 1" 3/4 G spec.	Ring nut	1	
19	390291	OR ø 28,25x2,62	O-Ring	7	☒
20	540530	Nipples 1"1/4-1"3/4 G (M)	Threaded adapter	1	
21	390271	Dado M 8	Nut	3	Geomet C ₂₀
23	580050	Guarnizione	Gasket	1	☒
25	580180	Semisfera inferiore	Lower air chamber	1	
	550190	Semicamera aria	Semi air chamber	1	Gomma
	550191	Semicamera aria	Semi air chamber	1	Saturflon
	550192	Semicamera aria	Semi air chamber	1	Viton
	550193	Semicamera aria	Semi air chamber	1	H.P.D.S.
27	550233	Semisfera superiore	Upper air chamber	1	Nera / Black
28	550300	Valvola di gonfiaggio	Air-valve	1	C ₃
29	650542	Guarnizione	Gasket	1	
30	550680	Vite TE M 8x20	Bolt	4	C ₂₀
31	200391	Anello seeger	Circlip	1	
32	550470	Bussola anello tenuta	Gasket retainer	1	
33	550070	Rondella tenuta	Spacer ring	1	
34	550060	Boccola a rullini	Roller bushing	1	↓
	550170	Albero eccentrico "SP"	"SP" shaft	1	AR 115 bp (AL)
	580380	Albero eccentrico "SP"	"SP" shaft	1	AR 135 bp (AT)
36	580470	Anello biella	Con rod ring	2	☒
37	551040	Vite TE M 10x55	Bolt	12	Geomet C ₄₀
38	550310	Boccola a rullini	Roller bushing	1	↓
46	550340	Nipples 1"G(M)-1"G(M)	Threaded adapter	1	
47	550350	OR ø 23,81x2,62	O-Ring	1	☒
48	550242	Girello 1" G	Ring nut	1	
49	550370	Curva ø 25	Elbow	1	
50	540550	Curva ø 40	Elbow	1	
52	250310	OR ø 36,14x2,62	O-Ring	1	☒
53	550491	Anello tenuta	Seal ring	1	☒
54	650920	OR ø 53,65x2,62	O-Ring	1	☒
55	880530	Tappo 3/8" G	Plug	1	C ₂₀
56	330173	Tappo 1/2" G	Plug	2	Geomet C ₂₀
58	580072	Attacco asp. mand. SX	Left manifold coupling	1	

Pos.	Cod.	Descrizione	Description	Q.ty	Note
59	1500350	Protezione cardano	Cardan protection	1	
60	550332	Rosetta øi 6,5	Washer	2	Geomet
61	320621	Rosetta øi 10,5	Washer	5	Geomet
62	740290	OR ø 14x1,78	O-Ring	1	▶
	550173	Albero eccentrico "C"	"C" shaft	1	AR 115 bp (AM)
	580330	Albero eccentrico "C"	"C" shaft	1	AR 135 bp (AS)
64	580370	Piattello	Plate	3	
65	580360	Perno membrana	Diaphragm pin	3	● C ₂₀
66	250310	OR ø 36,14x2,62	O-Ring	1	☒
67	580080	Piede corpo pompa	Base	1	
68	540301	Vite TCEI M 10x30	Bolt	1	Geomet C ₄₀
69	200233	Rosetta øi 10,5	Washer	2	Geomet
70	580400	Attacco DX forato	Right man.coup.-outlet	2	
71	550460	Curva ø 18	Elbow	1	
72	550450	Girello 3/4" G	Ring nut	1	
73	880831	OR ø 15,54x2,62	O-Ring	1	Viton
74	1609000	Valvola di sicurezza	Safety valve	1	■
75	881560	Gomito 90° 1/2"G (M)-(F)	Elbow	1	■
76	580421	Prolunga (M)-(F) 1/2"G	Extension	1	C ₂₀
77	180101	OR ø 17,5x2	O-Ring	2	▶
78	850851	Vite TCEI M 6x30	Bolt	2	Geomet C ₁₀
79	620472	Vite TCEI M 10x20	Bolt	3	Geomet C ₃₀
	550175	Albero eccentric. "SPxCR"	"SPxCR" shaft	1	AR 115 bp (AN)
	580430	Albero eccentric. "SPxCR"	"SPxCR" shaft	1	AR 135 bp (AX)
81	390180	OR ø 18,72x2,62	O-Ring	1	▶
82	1040310	Serbatoio olio	Oil tank	1	
83	650920	OR ø 53,65x2,62	O-Ring	1	
	1040322	Tappo serbatoio nero	Black oil tank cap	1	AR 115 bp
	1040320	Tappo serbatoio rosso	Red oil tank cap	1	AR 135 bp
85	580230	OR ø 69,52x2,62	O-Ring	1	
86	550920	Flangia	Flange	1	
87	550950	Vite TSEI M 10x25	Bolt	3	C ₂₀
88	180030	Vite TCEI M 8x20	Bolt	1	C ₂₅
89	620561	OR ø 78x2,5	O-Ring	1	☒
90	621000	Coperchio riduttore	Gear cap	1	
91	550930	Ruota dentata	Gear	1	Z= 64
92	620950	Guarnizione scatola	Gasket	1	
93	1140370	Tappo olio + OR	Oil plug & o-ring	1	
94	1980740	Tappo 3/8" G	Plug	3	Ottone/Brass ● C ₂₀
95	740290	OR ø 14x1,78	O-Ring	3	
96	621010	Vite TCEI M 10x75	Bolt	4	● C ₂₅
97	620960	Scatola riduttore	Gear box	1	
98	540290	Vite TCEI M 8x25	Bolt	4	● C ₂₅
99	651000	Vite TCEI 5/16"	Bolt	4	5/16"x24UNFx1"
100	881090	Linguetta	Key	1	
101	961800	Anello tenuta	Seal ring	1	☒
102	961790	Anello seeger	Circlip	1	
103	320240	Anello seeger	Circlip	2	
104	961780	Cuscinetto	Bearing	1	☒
105	621660	Pignone	Pinion	1	Z= 11
106	620990	Cuscinetto	Bearing	1	

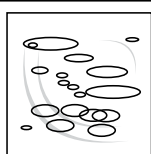
Bassa Pressione
Low Pressure



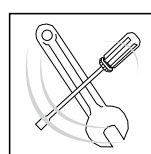
KIT 2367	
Membrane gomma Buna diaphragms	
KIT 2368	
Membrane HPDS HPDS diaphragms	
KIT 2369	
Membrane Desmopan Desmopan diaphragms	
Pos.	Q.ty
8	3



KIT 2370	
Valvole Valves	
Pos.	Q.ty
16	6
17	6



KIT 2026	
OR O-Rings	
Pos.	Q.ty
16	6
19	7
29	1
47	1
52	1
54	1
66	1
81	1
83	1

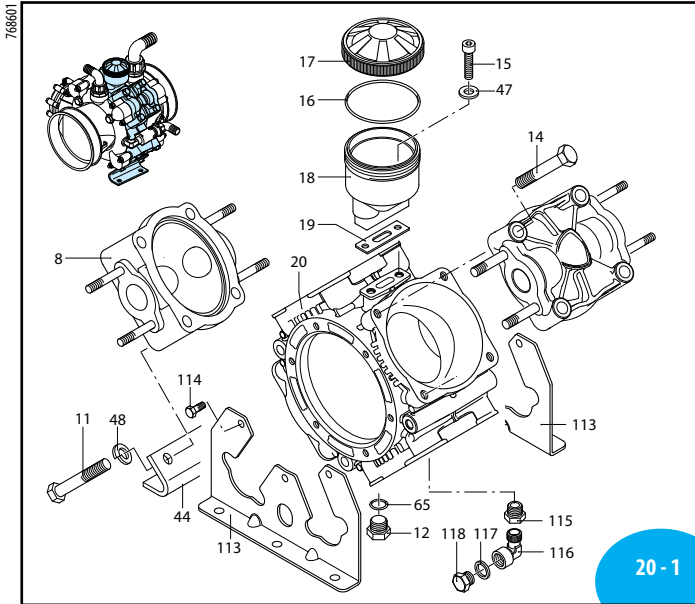


KIT 2025					
Pronto intervento Maintenance repair					
Pos.	Q.ty	Pos.	Q.ty	Pos.	Q.ty
8	3	46	1	81	1
16	6	47	1	82	1
17	6	48	1	83	1
18	1	49	1	84	1
19	7	50	1		
20	1	53	1		
23	1	54	1		
26	1	64	1		
29	1	65	1		

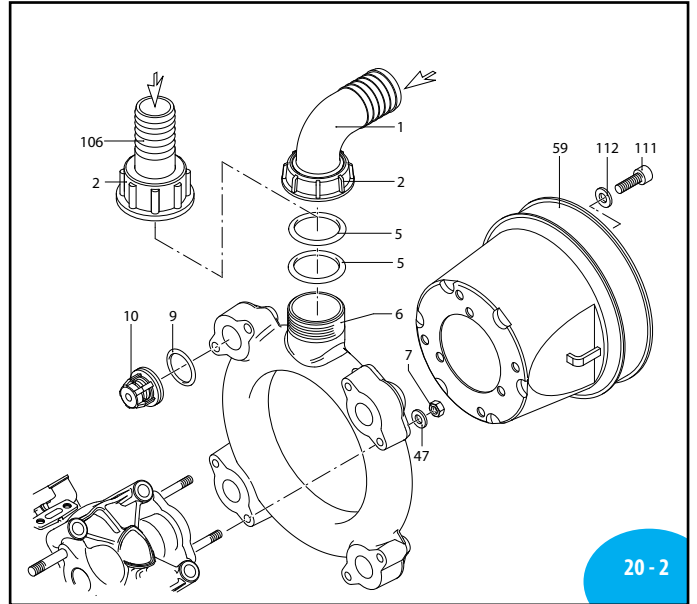


Olio utilizzato	
Used oil	
Tipo - Type	Kg
Pompa-Pump SAE 30	1
Ridut. - Gear box SAE 30	0,26

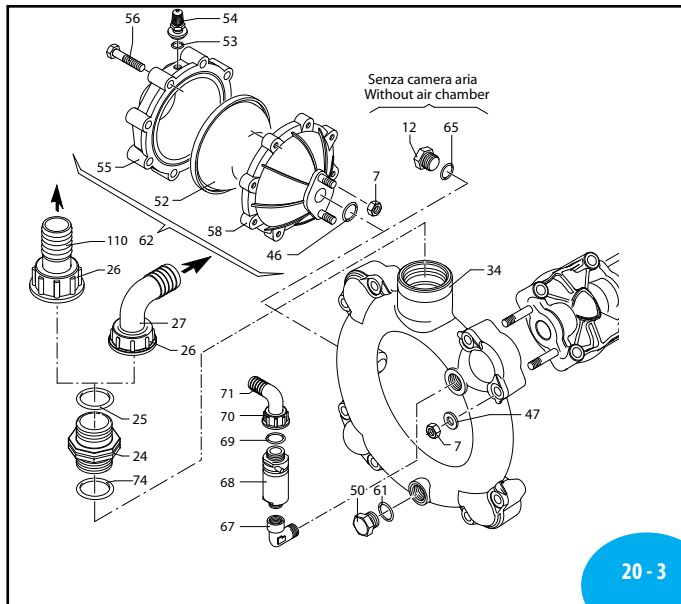
AR 160 bp - AR 185 bp



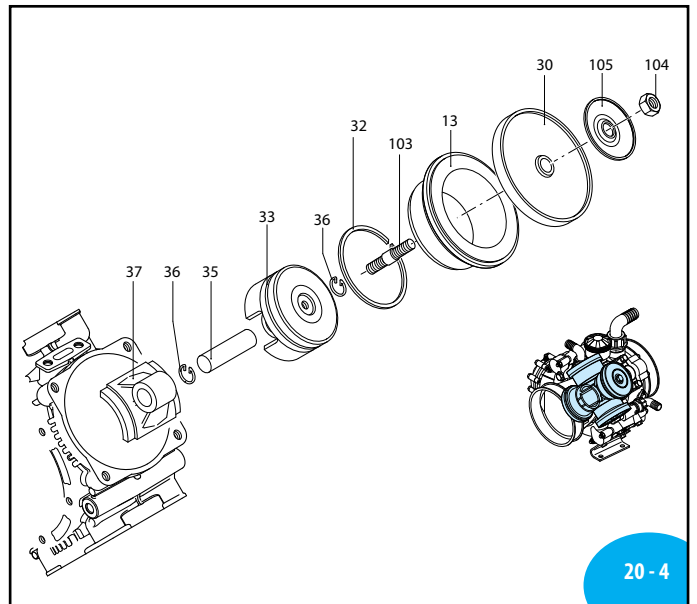
SLO00209-AU



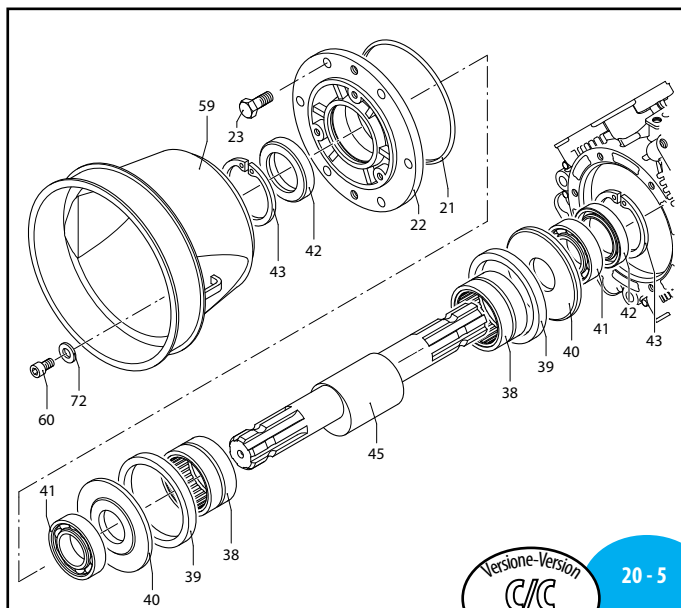
SLO00155-DV



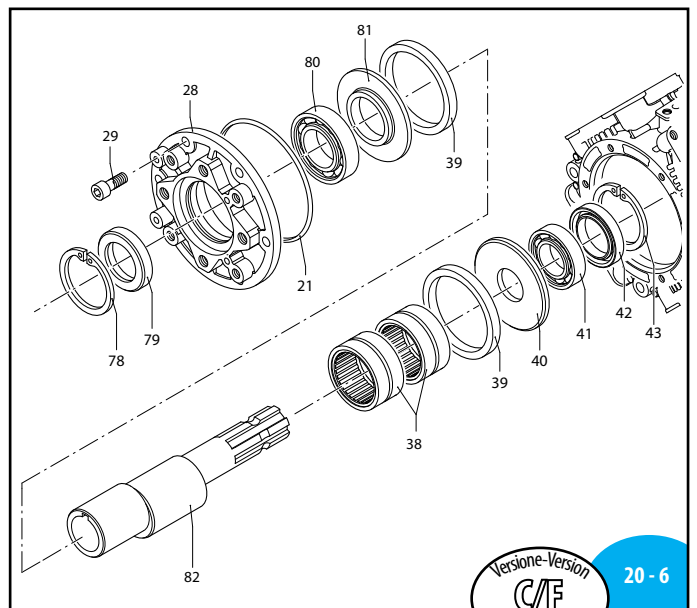
SLO00156-DV



SLO00208-AU



UN000714-IB



UN000715-IB

AR 160 bp - AR 185 bp

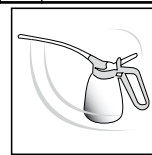
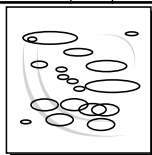
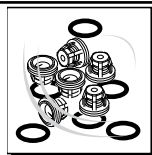
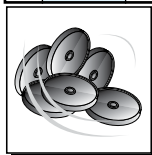
sp_ar160_185bp.pdf

Pos.	Cod.	Descrizione	Description	Q.ty	Note
1	3040430	Curva Ø 40	Elbow	1	AR 160 bp
	3040440	Curva Ø 50	Elbow	1	AR 185 bp
2	3040450	Girello 2" G	Ring nut	1	
5	3040470	Guarnizione OR Ø 39,3x2,6	O-ring	2	☒
6	760750	Condotto aspirazione	Line	1	
7	380242	Dado M8	Nut	18	Geomet C ₂₀
	380244	Dado M8	Nut	18	Inox C ₂₀
8	751350	Testa plastificata	Head	4	
	751352	Testa plastificata	Head	4	Inox
9	680070	Guarnizione OR Ø 31,5x4,25	O-ring	8	☒
10	759051	Valvola	Valve	8	
11	750071	Vite TE M12x70	Screw	4	Geomet C ₅₀
	750072	Vite TE M12x70	Screw	4	Inox C ₅₀
12	880530	Tappo 3/8" G	Plug	2	☒ C ₂₀
	2340350	Tappo 3/8" G	Plug	2	Inox ☒ C ₂₀
13	750110	Camicia	Sleeve	4	AR 160 bp
	750115	Camicia	Sleeve	4	AR 185 bp
14	750061	Vite TE M12x65	Screw	12	Geomet C ₅₀
	750062	Vite TE M12x65	Screw	12	Inox C ₅₀
15	680350	Vite TCEI M8x35	Screw	2	C ₁₀
16	1040060	Guarnizione OR Ø 72,69x2,62	O-ring	1	
17	750057	Tappo nero	Plug	1	AR 160 bp
	750052	Tappo rosso	Plug	1	AR 185 bp
18	750030	Serbatoio	Tank	1	
19	750040	Guarnizione	Gasket	1	☒
20	761010	Corpo pompa	Pump body	1	
21	851360	Guarnizione OR Ø 120,32x2,62	O-ring	1	☒
22	680020	Supporto	Support	1	☒
23	160672	Vite TE M10x25	Screw	6	Geomet C ₄₀ ☒
	160673	Vite TE M10x25	Screw	6	Inox C ₄₀ ☒
24	751130	Raccordo 1"1/2 G M-M	Fitting	1	
25	390290	Guarnizione OR Ø 29x3	O-ring	1	☒
26	750670	Girello 1" 1/2 G	Ring nut	1	
27	760930	Curva Ø 25	Elbow	1	AR 160 bp
	3040160	Curva Ø 35	Elbow	1	AR 185 bp
28	2420181	Supporto	Support	1	☒
29	650640	Vite TCEI M10x25	Screw	6	Geomet C ₄₀
	650642	Vite TCEI M10x25	Screw	6	Inox C ₄₀
30	550080	Membrana	Diaphragm	4	NBR
	550084	Membrana	Diaphragm	4	Viton
	550085	Membrana	Diaphragm	4	Desmopan
	550086	Membrana	Diaphragm	4	HPDS
32	500260	Segmento	Piston ring	4	
33	750122	Pistone Ø 80	Piston	4	
34	760760	Condotto mandata	Line	1	
35	160700	Spina	Pin	4	☒
36	160691	Anello seeger Øi 18	Ring	8	
37	760140	Biella	Connecting-rod	4	
38	750090	Cuscinetto	Bearing	2	
39	750130	Anello biella	Ring	2	☒
40	540040	Piastra	Plate	2	
41	230350	Cuscinetto	Bearing	2	↓
42	160740	Anello tenuta	Ring	2	☒
43	200390	Anello seeger Øi 62	Ring	2	
44	760201	Piede	Foot	2	
45	750170	Albero C/C m-AU	Shaft	1	AR 160 bp
	750174	Albero C/C m-AV	Shaft	1	AR 185 bp
46	390290	Guarnizione OR Ø 29x3	O-ring	1	☒

Pos.	Cod.	Descrizione	Description	Q.ty	Note
47	380243	Rondella	Washer	18	Geomet
	390315	Rondella	Washer	18	Inox
48	250143	Rondella	Washer	4	Geomet
	250144	Rondella	Washer	4	Inox
50	330173	Tappo 1/2" G	Plug	1	Geomet ☒ C ₂₀
	330174	Tappo 1/2" G	Plug	1	Inox ☒ C ₂₀
52	550190	Semicamera aria	Semi air chamber	1	NBR
	550191	Semicamera aria	Semi air chamber	1	Saturflon
	550192	Semicamera aria	Semi air chamber	1	Viton
	550193	Semicamera aria	Semi air chamber	1	HPDS
53	650542	Guarnizione	Gasket	1	
54	180020	Valvola di gonfiaggio	Air valve	1	C ₃
55	620232	Semicamera aria superiore	Semi air chamber	1	Nera
56	621781	Vite TE M8x40	Screw	8	Geomet C ₂₀
	621782	Vite TE M8x40	Screw	8	Inox C ₂₀
58	680180	Semisfera inferiore	Halfball	1	
59	1500470	Protezione cardano	Cardan protection	2	
60	850251	Vite TCEI M8x12	Screw	3	Geomet C ₂₀
	850252	Vite TCEI M8x12	Screw	3	Inox C ₂₀
61	180101	Guarnizione OR Ø 17,5x2	O-ring	1	
62	1552	Camera aria completa	Air chamber	1	
65	740290	Guarnizione OR Ø 14x1,78	O-ring	2	
67	881560	Raccordo 1/2" G M-F	Fitting	1	☒
68	1609000	Valvola di sicurezza	Safety valve	1	☒
69	880831	Guarnizione OR Ø 15,54x2,62	O-ring	1	Viton
70	550450	Girello 3/4" G	Ring nut	1	
71	550460	Curva Ø 18	Elbow	1	
72	390314	Rondella	Washer	3	Geomet
	390315	Rondella	Washer	3	Inox
74	751140	Guarnizione OR Ø 47,22x3,53	O-ring	1	☒
78	620330	Anello seeger Øi 65	Ring	1	
79	1800090	Anello tenuta	Ring	1	☒
80	230310	Cuscinetto	Bearing	1	↓
81	760510	Piastra	Plate	1	
82	760450	Albero C/F Ø25 m-BX	Shaft	1	AR 160 bp
	760520	Albero C/F Ø32 m-BS	Shaft	1	AR 160 bp
	760460	Albero C/F Ø25 m-BZ	Shaft	1	AR 185 bp
	760530	Albero C/F Ø32 m-BT	Shaft	1	AR 185 bp
103	2240100	Perno	Hub pin	4	☒ C ₃₅
104	2240110	Dado M10	Nut	4	Inox ☒ C ₃₀
105	751250	Piattello	Wobble plate	4	
106	760950	Portagomma Ø 40	Hose tail	1	AR 160 bp
	760570	Portagomma Ø 50	Hose tail	1	AR 185 bp
	760920	Portagomma Ø 25	Hose tail	1	AR 160 bp
110	760940	Portagomma Ø 35	Hose tail	1	AR 185 bp
111	820673	Vite TCEI M10x16	Screw	3	Geomet
	820672	Vite TCEI M10x16	Screw	3	Inox
112	320621	Rondella 10.5x21x2	Washer	3	Geomet
	320622	Rondella 10.5x21x2	Washer	3	Inox
113	761030	Piede	Foot	2	
114	160672	Vite TE M10x25	Screw	6	Geomet ☒ C ₂₀
	160673	Vite TE M10x25	Screw	6	Inox ☒ C ₂₀
115	1040491	Raccordo 3/8" M-F	Fitting	1	☒
116	900210	Raccordo 3/8" G M-F	Fitting	1	☒
117	2260200	Rondella	Washer	1	
118	2281270	Tappo 3/8" G	Plug	1	☒ C ₂₀

Bassa Pressione
Low Pressure

Nuove test. C.I. 0478MG



KIT 2371	
Membrane gomma Buna diaphragms	
KIT 2372	
Membrane HPDS HPDS diaphragms	
KIT 2373	
Membrane Desmopan Desmopan diaphragms	
Pos.	Q.ty
30	4

KIT 2374	
Valvole Valves	
Pos.	Q.ty
9	8
10	8

KIT 42510			
OR O-Rings			
Pos.	Q.ty	Pos.	Q.ty
5	2	69	1
9	8	74	1
16	1		
21	1		
25	1		
46	1		
53	1		
61	1		
65	2		

KIT 42511 - AR 160 bp					
KIT 42512 - AR 185 bp					
Pronto intervento Maintenance repair					
Pos.	Q.ty	Pos.	Q.ty	Pos.	Q.ty
1	1	21	1	61	1
2	1	24	1	65	2
5	2	25	1	69	1
9	8	26	1	74	1
10	8	27	1	103	4
16	1	30	4	104	4
17	1	42	2	105	4
18	1	46	1		
19	1	52	1		

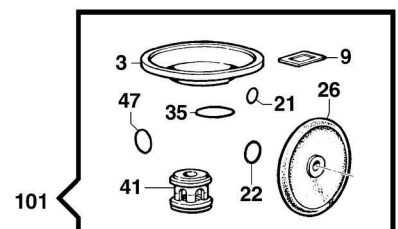
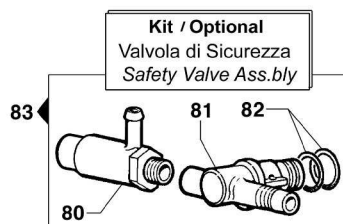
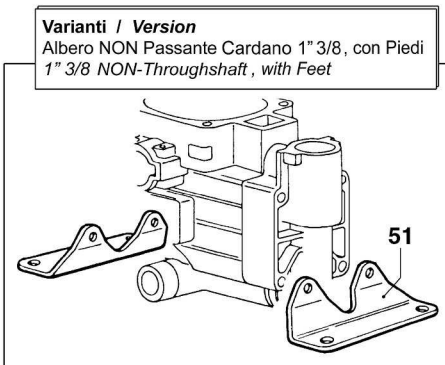
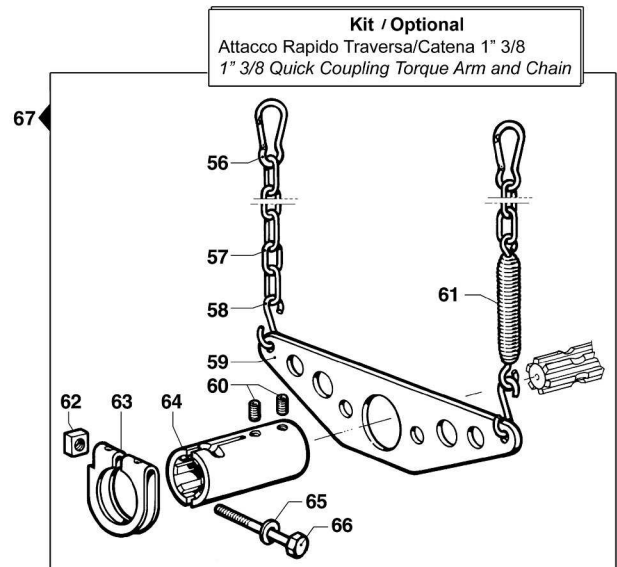
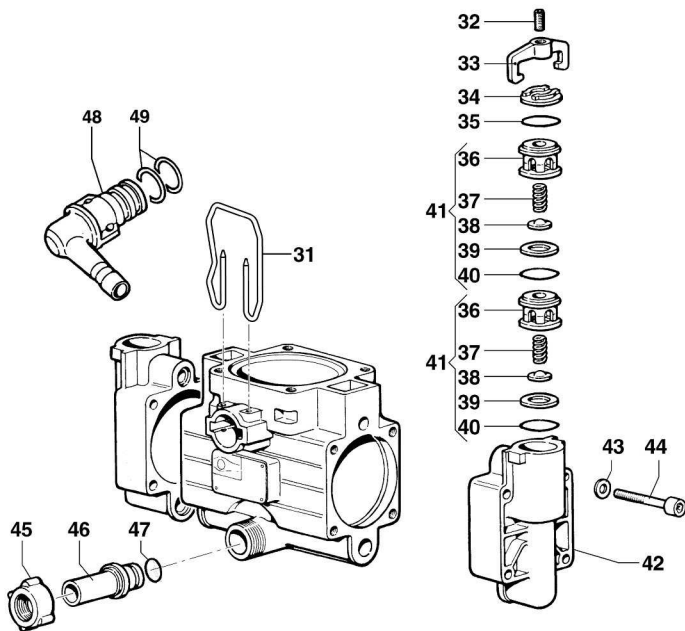
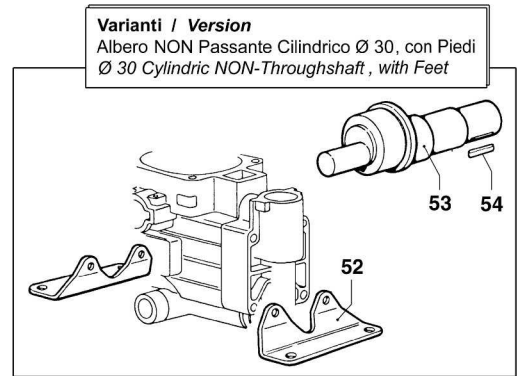
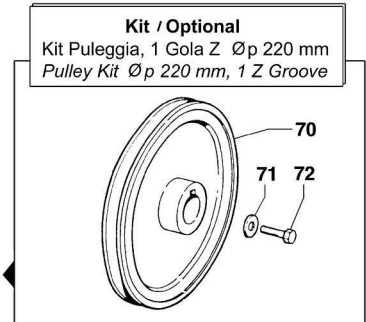
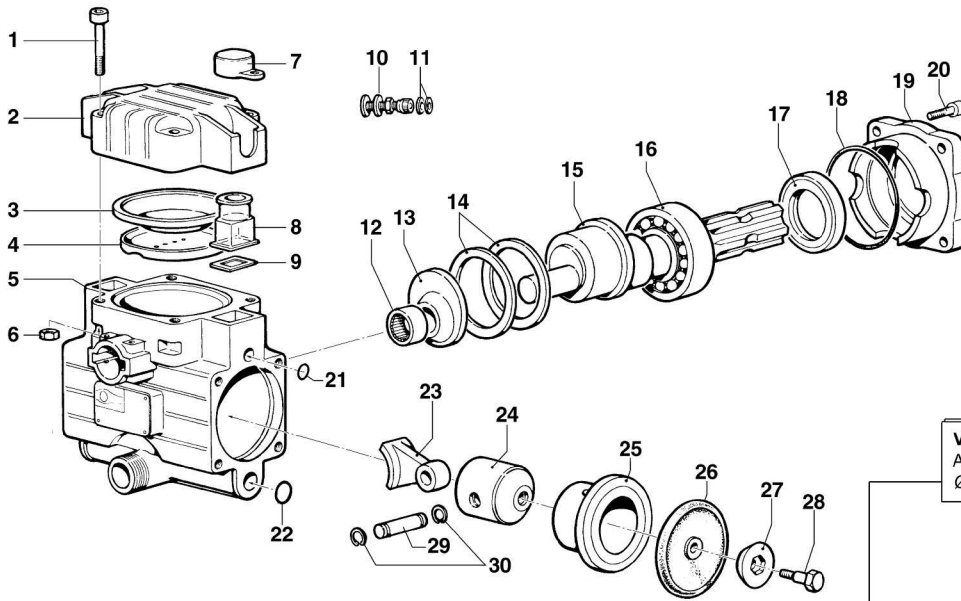
Olio utilizzato	
Used oil	
Tipo - Type	Kg
SAE 30	1,4

BP Series

BP 20/15

Pompe a Membrana - Diaphragm Pumps

550 RPM



Pompa Base
Standard Pump

Albero NON Passante 1"3/8M
1"3/8M NON-Throughshaft

BP 20/15

550 RPM

N°	Cod.	Descrizione	Description	Note	Qty	Model
1	3609 0192	Vite	Screw	M10x50	4	
2	0003 0025	Accumulatore Press. Sup.	Pressure Accumulator		1	
3	1800 0033	Membrana Accumulatore	Diaphragm		1	
4	0460 0011	Calotta Sost. Membrana	Diaphragm Support Cap		1	
5	0403 0083	Carter Pompa	Pump Crankcase		1	
6	0604 0105	Dado	Nut	M10	4	
7	1800 0081	Membrana Comp. Volum.	Volum. Comp. Diaphragm		2	
8	0421 0013	Compensatore Volumetrico	Volumetric Compensator		2	
9	1201 0071	Guarnizione Piana	Flat Gasket		2	
10	3610 0003	Valvola Aria	Air Valve		1	
11	1209 0033	Guarnizione	Gasket	Ø14x7,5x2	2	
12	0437 0026	Cuscinetto Rulli	Roller Bearing	Ø20x26x20	1	
13	2813 0063	Rondella Tenuta Biella	Connecting Rod Washer	Ø62x20x14,5	1	
14	0010 0008	Anello Tenuta Biella	Connecting Rod Ring	Ø68x55x6	2	
15	0001 0245	Albero Non Passante	NON-Throughshaft	1"3/8	1	
16	0438 0010	Cuscinetto a Sfere	Ball Bearing	Ø35x72x17	1	
17	0019 0075	Anello Tenuta	Oil Seal	Ø35x62x7	1	
18	1210 0069	Guarnizione OR	O-Ring	Ø1,8x83	1	
19	0405 0063	Coperchio porta Cusc.	Support Cover		1	
20	3609 0202	Vite	Screw	M10x35	4	
21	1210 0057	Guarnizione OR	O-Ring	Ø2,62x10,78	2	
22	1210 0021	Guarnizione OR	O-Ring	Ø2,62x15,54	2	
23	0205 0021	Kit Biella 2SET	Con-Rod Assembly		1	
24	2409 0023	Pistone	Piston	Ø45	2	
25	0400 0030	Camicia	Piston Sleeve	Ø45x14,3	2	
26	1800 0020	Membrana Pompa	Diaphragm	Gomma Nitrilica Buna Rubber	2	
	1800 0102	Membrana Pompa	Diaphragm	Desmopan ®	2	
	1800 0028	Membrana Pompa	Diaphragm	Viton ®	2	
27	0602 0008	Disco Tenuta Membrana	Disc		2	
28	3605 0027	Vite Speciale Membrana	Diaphragm Holder Screw	M8	2	
29	3011 0006	Spinotto	Gudgeon Pin	Ø12x36,5	2	
30	3020 0020	Seeger Interno	Inner Seeger	Ø12	4	
31	1202 0060	Gancio Fissaggio Mandata	Delivery Hook	Ø30	1	
32	3622 0017	Vite senza Testa Esag. Inc.	Screw	M8x16	2	
33	0418 0033	Cavallotto	U-Bolt		2	
34	3202 0081	Tappo Valvola Aspir./Mand.	Plug		2	
35	1210 0191	Guarnizione OR	O-Ring	Ø3x25	2	
36	1205 0021	Gabbia Valvola Aspir./Mand.	Suct./Del. Valve Cage		4	
37	1802 0125	Molla Valvola Aspir./Mand.	Suct./Del. Valve Spring		4	
38	3604 0007	Valvola Aspir./Mandata	Suct./Delivery Valve		4	
39	3009 0111	Sede Valvola Aspir./Mand.	Suct./Del. Valve Seat		4	
40	1210 0191	Guarnizione OR	O-Ring	Ø3x25	4	
41	1220 0033	Gruppo Valvola Aspir./Mand.	Suct./Del. Valve Ass.y kit		4	
42	3218 0069	Testata Pompa	Pump Manifold		2	
43	2811 0099	Rondella	Washer	Ø8,4x15x1,6	8	
44	3609 0159	Vite	Screw	M8x50	8	
45	1200 0008	Galletto	Wing Nut	30MB	1	
46	2800 0019	Raccordo p.g. Rifiuto Diritto	Straight Hose By-pass Tail	Ø15,5x23	1	
47	1210 0046	Guarnizione OR	O-Ring	Ø2,62x17,13	1	
48	2803 0027	Raccordo Rapido p.g. Curvo	Elbow Quick Coupling	Ø16	1	
49	1210 0002	Guarnizione OR	O-Ring	Ø2,62x20,7	2	

N°	Cod.	Descrizione	Description	Note	Qty	Model
----	------	-------------	-------------	------	-----	-------

Varianti

Version

51	2400 0043	Piede Sostegno Pompa	Pump Mounting Bracket		2	
----	-----------	----------------------	-----------------------	--	---	--

Varianti

Version

52	2400 0043	Piede Sostegno Pompa	Pump Mounting Bracket		2	
53	0001 0247	Albero Non Passante	NON-Throughshaft		1	
54	1602 0049	Linguetta	Key	8x7x22	1	

Kit

Optional

56	1202 0009	Gancio	Hook		2	
57	0465 0001	Catena ad Anelli	Chain	500 mm	2	
58	1202 0006	Gancio	Hook	Ø6	2	
59	3221 0003	Traversa Attacco Rapido	Torque Arm for Quick Coup.		1	
60	3622 0011	Vite Senza Testa Esag. Inc.	Screw	M8x10	2	
61	1802 0040	Molla + Gancio	Spring + Hook	Øe20x100	1	
62	0600 0037	Dado Speciale	Special Bolt	M12x6	1	
63	0417 0005	Collare Inn.Attacco Rap.	Collar		1	
64	1407 0006	Innesto Calettato	Quick Coupling	Ø1"3/8	1	
65	2811 0025	Rondella	Washer	Ø13x20x2,5	1	
66	3607 0115	Vite Testa Esagonale	Hexagonal Screw	M12x75	1	
67	5002 0017	Kit Traversa Attacco Rapido	Torque Arm for Quick Coup. Kit		1	

Kit

Optional

70	2424 0047	Puleggia	Pulley	1Z - Øp220	1	
71	2812 0053	Rondella	Washer	Ø9x40x5	1	
72	3607 0026	Vite Testa Esagonale	Hexagonal Screw	M8x25	1	
73	5001 0065	Kit Puleggia	Pulley Kit	1Z - Øp220	1	

Kit

Optional

80	1219 0052	Valvola di Sicurezza	Safety Valve	15 Bar 0-100L	1	
81	2803 0359	Raccordo porta Valvola	Safety Valve Coupling	Ø19 - G3/8"	1	
82	1210 0002	Guarnizione OR	O-Ring	Ø2,62X 20,7	2	
83	2803 0530	Kit Valvola di Sicurezza	Safety Valve Kit	15 Bar 0-100L	1	

Kit Manutenzione

Maintenance Kit

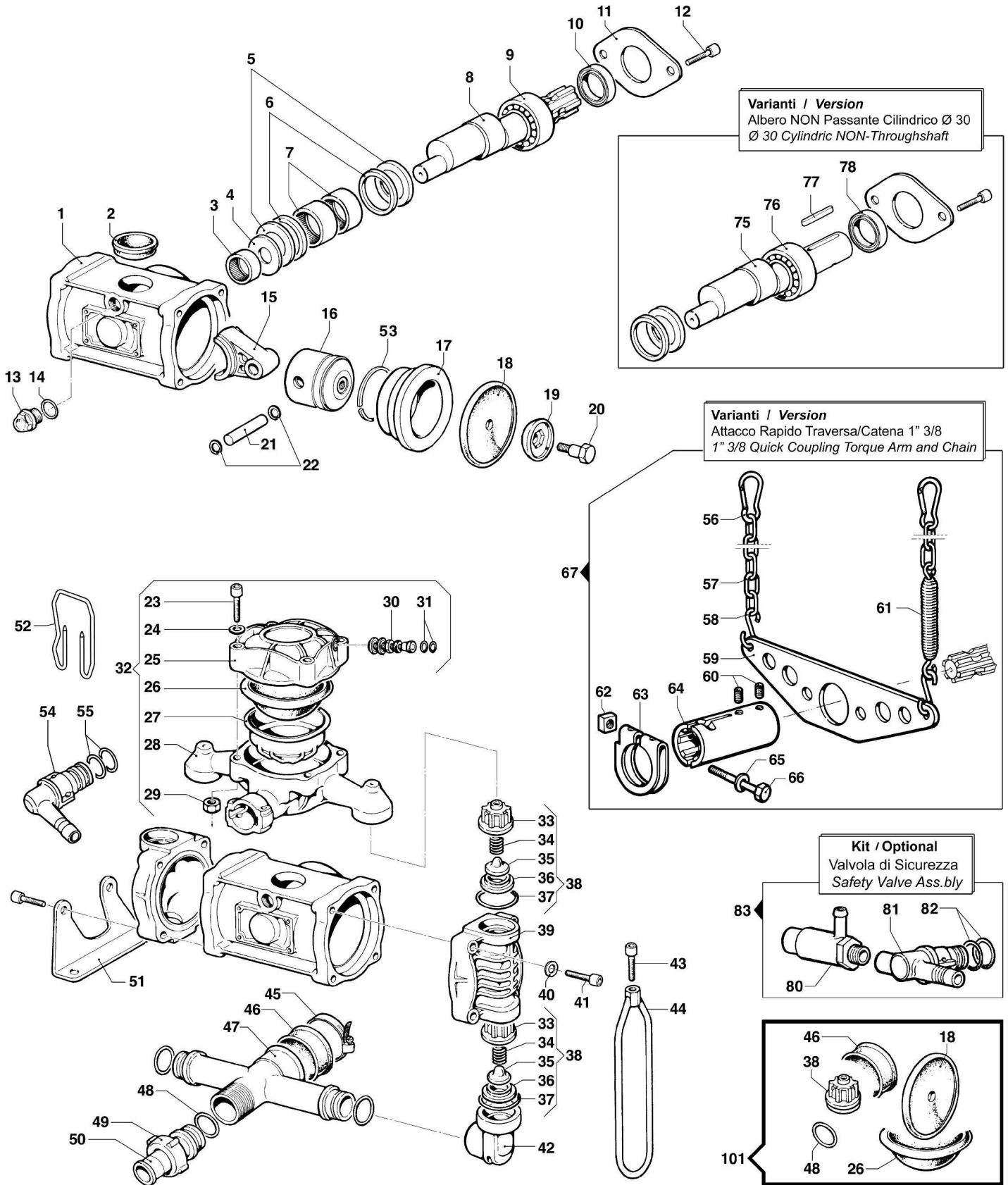
101	5026 0069	Kit Manutenzione Ordinaria	Ordinary Maintenance Kit		1	
-----	-----------	----------------------------	--------------------------	--	---	--

BP K Series

BP 60 K

Pompe a Membrana - Diaphragm Pumps

550 RPM



Pompa Base
Standard Pump

Albero NON Passante 1"3/8M, con Piedi
 1"3/8M NON-Throughshaft, with Feet

BP 60 K

550 RPM

N°	Cod.	Descrizione	Description	Note	Q.ty	Model
1	0403 0132	Carter Pompa	Pump Crankcase		1	
2	1800 0030	Membrana Compens. Volum.	Volum. Comp. Diaphragm		1	
3	0437 0030	Cuscinetto Rulli	Roller Bearing	Ø20x28x20	1	
4	2813 0024	Rondella Tenuta Biella	Connecting Rod Washer	Ø20x50x3	1	
5	0601 0045	Distanziale	Spacer		2	
6	0010 0013	Anello Tenuta Biella	Connecting Rod Ring	Ø60x50x6	2	
7	0437 0031	Cuscinetto Rulli	Roller Bearing	Ø35x42x16	2	
8	0001 0097	Albero Non Passante	NON-Throughshaft	1"3/8 M	1	
9	0438 0015	Cuscinetto a Sfere	Ball Bearing	Ø35x62x14	1	
10	0019 0010	Anello Tenuta	Oil Seal	Ø35x62x10	1	
11	1004 0013	Flangia Tenuta Paraolio	Flange		1	
12	3609 0171	Vite	Screw	M10x16	2	
13	3201 0021	Tappo Olio	Oil Dipstick	3/8" GAS	1	
14	1210 0025	Guarnizione OR	O-Ring	Ø2,9x13,8	1	
15	0205 0025	Kit Biella 2SET	Connecting Rod Assembly		1	
16	2409 0096	Pistone	Piston	Ø70	2	
17	0400 0087	Camicia	Piston Sleeve	Ø70	2	
18	1800 0002	Membrana Pompa	Diaphragm	Gomma Nitrilica BUNA Rubber	2	
	1800 0178	Membrana Pompa	Diaphragm	Desmopan ®	2	
	1800 0032	Membrana Pompa	Diaphragm	Viton ®	2	
19	0602 0045	Disco Tenuta Membrana	Disc		2	
20	3605 0005	Vite Speciale Ten. Membr.	Diaphragm Holder Screw	M12x1,5	2	
21	3011 0001	Spinotto	Gudgeon Pin	Ø15x53	2	
22	3020 0001	Seeger Interno	Inner Seeger	Ø15	4	
23	3609 0182	Vite	Screw	M10x60	4	
24	2811 0098	Rondella	Washer	Ø10,5x18x2	4	
25	0003 0015	Accumulatore Press. Sup.	Pressure Accumulator		1	
26	1800 0034	Membrana Accumulatore	Diaphragm		1	
27	0460 0036	Calotta Sostegno Membr.	Diaphragm Support Cap		1	
28	0002 0028	Accumulatore Press. Infer.	Pressure Accumulator		1	
29	0604 0105	Dado	Nut	M10	4	
30	3610 0003	Valvola Aria	Air Valve		1	
31	1209 0033	Guarnizione	Gasket	Ø14x7,5x2	2	
32	0102 0010	Kit Accumulatore Press.	Pressure Accumulator Kit		1	
33	1205 0034	Gabbia Valv. Aspir./Mand.	Suct./Delivery Valve Cage		4	
34	1802 0255	Molla	Spring		4	
35	3604 0009	Valvola Aspiraz./Mandata	Suction/Delivery Valve		4	
36	3009 0022	Sede Valvola Aspir./Mand.	Suct./Delivery Valve Seat		4	
37	1210 0419	Guarnizione OR	O-Ring	Ø6x37x49	4	
38	1220 0046	Gruppo Valv. Aspir./Mand.	Suct./Del. Valve Ass.y kit		4	
39	3218 0123	Testata Pompa	Pump Manifold		2	
40	2811 0098	Rondella	Washer	Ø10,5x18x2	4	
41	3609 0161	Vite	Screw	M10x45	8	
42	2804 0012	Raccordo Curvo Aspiraz.	Elbow Suction Coupling		2	
43	3609 0160	Vite	Screw	M10x30	2	
44	0418 0041	Cavallotto	U-Bolt		2	
45	1003 0036	Fascetta	Hose Clamp		1	
46	1800 0017	Membrana Polmone Aspir.	Diaphragm		1	
47	3212 0025	Tubo Aspirazione	Suction Hose		1	
48	1210 0096	Guarnizione OR	O-Ring	Ø3,53x21,82	3	

N°	Cod.	Descrizione	Description	Note	Q.ty	Model
49	1200 0009	Galletto	Wing Nut	M36x2	1	
50	2800 0010	Raccordo p.g. Aspir. Diritto	Suction Hose Tail	Ø19x26	1	
51	2400 0052	Piede Sostegno Pompa	Pump Mounting Bracket		2	
52	1202 0060	Gancio Fissaggio Mandata	Delivery Hook		1	
53	0020 0001	Anello Compressione	Compression Ring		2	
54	2803 0033	Raccordo Rapidop.g. Curvo	Elbow Quick Coupling	Ø20	1	
55	1210 0002	Guarnizione OR	O-Ring	Ø2,62x20,7	2	

Varianti

Version

56	1202 0009	Gancio	Hook		2	
57	0465 0001	Catena ad Anelli	Chain	500 mm	2	
58	1202 0006	Gancio	Hook	Ø6	2	
59	3221 0001	Traversa Attacco Rapido	Torque Arm for Quick Coup.		1	
60	3622 0011	Vite Senza Testa Esag. Inc.	Screw	M8x10	2	
61	1802 0040	Molla (Filo Ø2,5) + Gancio	Spring (Wire Ø2,5) + Hook	Øe20x100	1	
62	0600 0037	Dado Speciale	Special Bolt	M12x6	1	
63	0417 0005	Collare Innesco Attacco Rap.	Collar		1	
64	1407 0006	Innesco Calettato	Quick Coupling	Ø1"3/8	1	
65	2811 0025	Rondella	Washer	Ø13x20x2,5	1	
66	3607 0115	Vite Testa Esagonale	Hexagonal Screw	M12x75	1	
67	5002 0008	Kit Traversa Attacco Rapido	Torque Arm for Quick Coup. Kit		1	

Varianti

Version

75	0001 0050	Albero Non Passante	NON-Throughshaft	Ø30 Cil.	1	
76	0438 0016	Cuscinetto a Sfere	Ball Bearing	Ø30x62x16	1	
77	1602 0018	Linguetta	Key	8x7x40	1	
78	0019 0016	Anello Tenuta	Oil Seal	Ø30x62x10	1	

Kit

Optional

80	1219 0042	Valvola di Sicurezza	Safety Valve	20 Bar 0-100L	1	
81	2803 0358	Raccordo porta Valvola	Safety Valve Coupling	Ø15 - G3/8"	1	
82	1210 0002	Guarnizione OR	O-Ring	Ø2,62X 20,7	2	
83	2803 0353	Kit Valvola di Sicurezza	Safety Valve Kit	20 Bar 0-100L	1	

Kit Manutenzione

Maintenance Kit

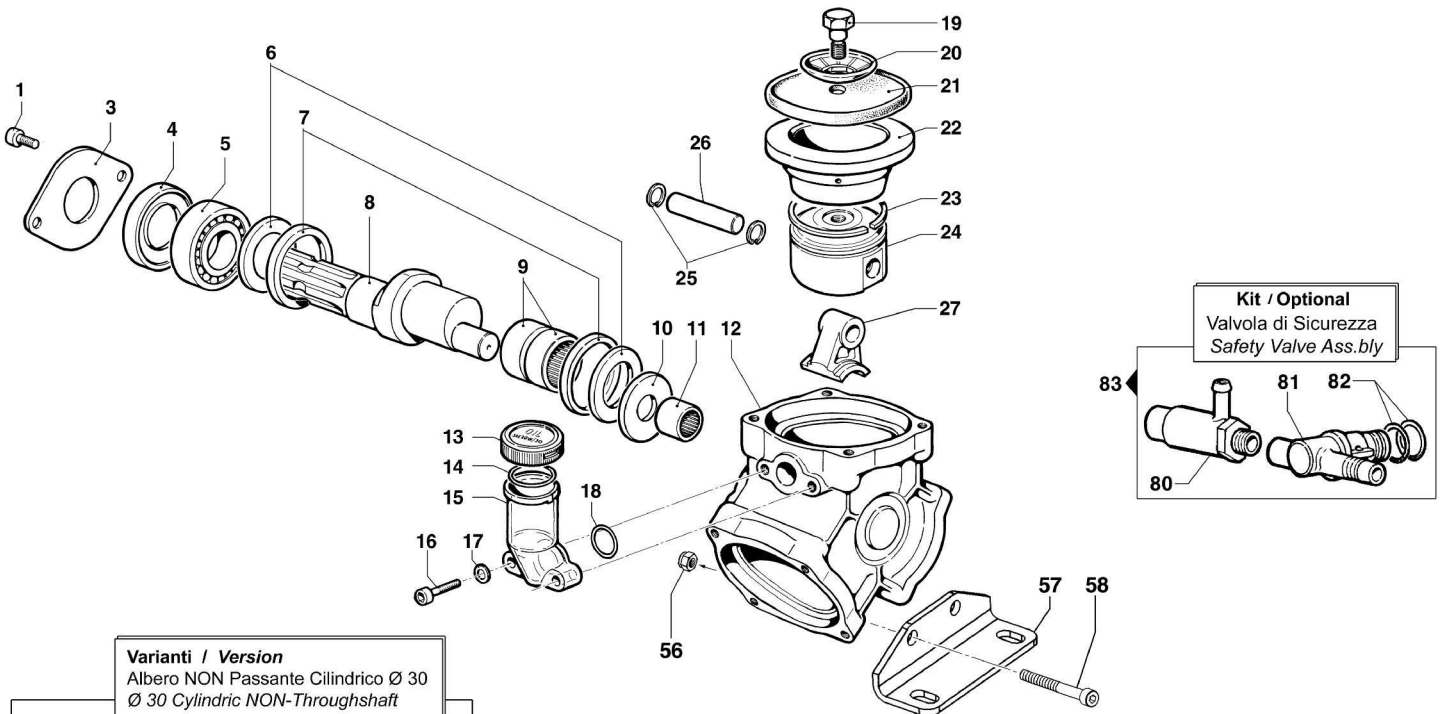
101	5026 0344	Kit Ricambi Manutenzione	Ordinary Maintenance Kit		1	
-----	-----------	--------------------------	--------------------------	--	---	--

BP K Series

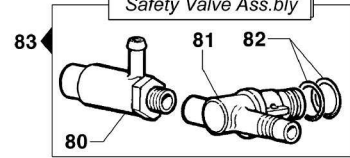
BP 105 K - BP 125 K

Pompe a Membrana - Diaphragm Pumps

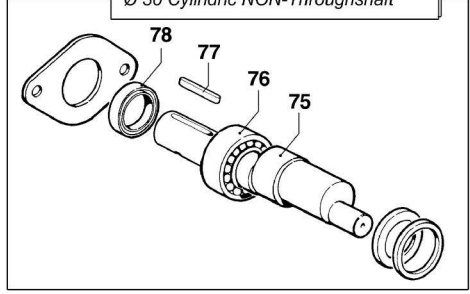
550 RPM



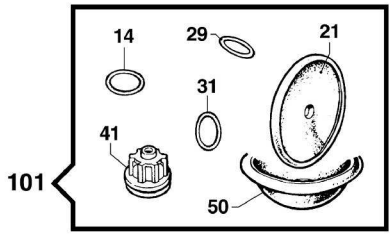
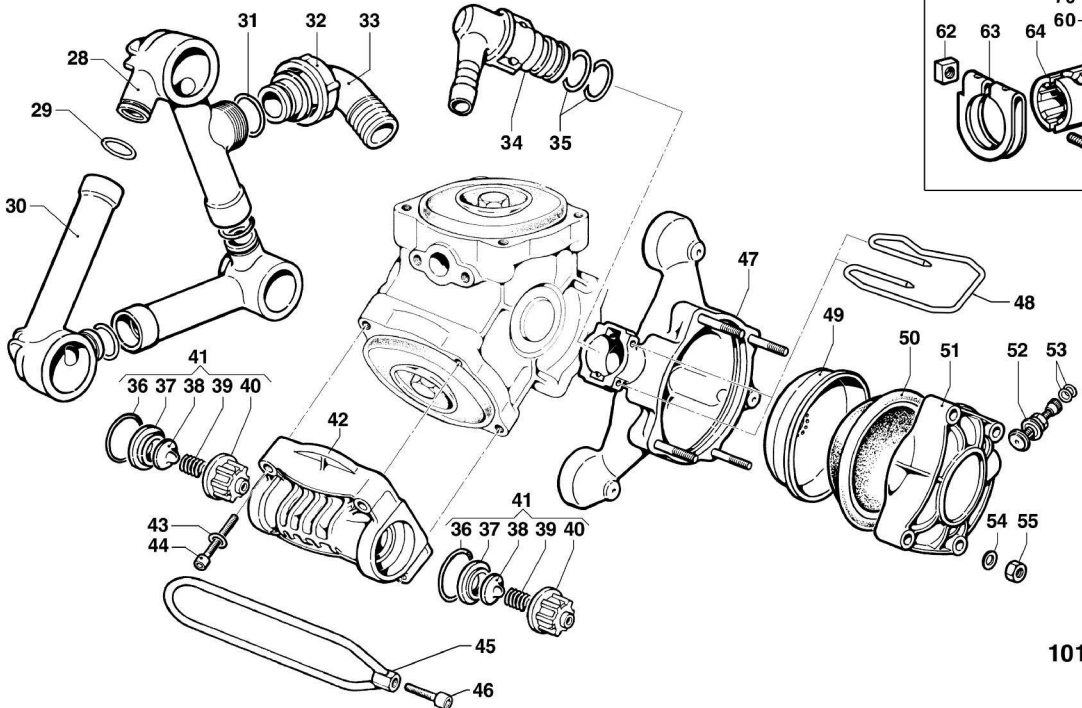
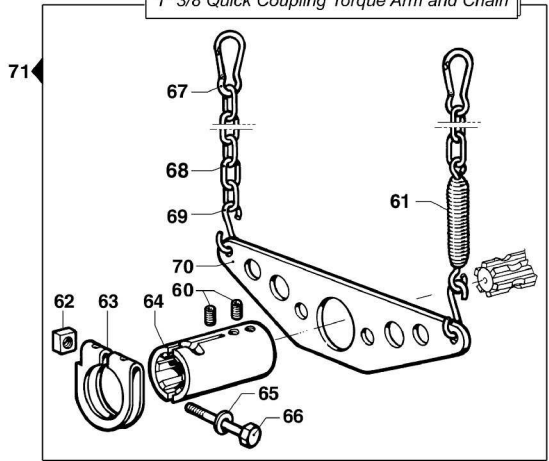
Kit / Optional
Valvola di Sicurezza
Safety Valve Ass.bly



Varianti / Version
Albero NON Passante Cilindrico Ø 30
Ø 30 Cylindric NON-Throughshaft



Varianti / Version
Attacco Rapido Traversa/Catena 1" 3/8
1" 3/8 Quick Coupling Torque Arm and Chain



Pompa Base
Standard Pump

Albero NON Passante 1"3/8M, con Piedi
1"3/8M NON-Throughshaft, with Feet

BP 105 K - BP 125 K

550 RPM

N°	Cod.	Descrizione	Description	Note	Qty	Model
1	3609 0171	Vite	Screw	M10x16	2	
3	1004 0013	Flangia Tenuta Paraolio	Flange		1	
4	0019 0010	Anello Tenuta	Oil Seal	Ø35x62x10	1	
5	0438 0015	Cuscinetto a Sfere	Ball Bearing	Ø35x62x14	1	
6	2813 0019	Rondella Tenuta Biella	Connecting Rod Washer	Ø63x40x2,8	2	
7	0010 0008	Anello Tenuta Biella	Connecting Rod Ring	Ø68x55x6	2	
8	0001 0382	Albero Non Passante	NON-Throughshaft	1"3/8 M	1	BP125K
	0001 0098	Albero Non Passante	NON-Throughshaft	1"3/8 M	1	BP105K
9	0437 0045	Cuscinetto Rulli	Roller Bearing	Ø40x47x16	2	
10	2813 0024	Rondella Tenuta Biella	Connecting Rod Washer	Ø20x50x3	1	
11	0437 0033	Cuscinetto Rulli	Roller Bearing	Ø20x28x23	1	
12	0403 0133	Carter Pompa	Pump Crankcase		1	
13	0402 0141	Coperchio Compens. Vol.	Volum. Compensator Cover		1	
14	1210 0122	Guarnizione OR	O-Ring	Ø2,62x44,12	1	
15	0421 0020	Compensatore Volumetr.	Volumetric Compensator		1	
16	3609 0165	Vite	Screw	M8x35	2	
17	2811 0099	Rondella	Washer	Ø8,4x15x1,6	2	
18	1210 0037	Guarnizione OR	O-Ring	Ø2,5x25	1	
19	3605 0005	Vite Spec. Tenuta Membr.	Diaphragm Holder Screw		3	
20	0602 0045	Disco Tenuta Membrana	Disc		3	
21	1800 0002	Membrana Pompa	Diaphragm	Gomma Nitrilica Buna Rubber	3	
	1800 0178	Membrana Pompa	Diaphragm	Desmopan ®	3	
	1800 0032	Membrana Pompa	Diaphragm	Viton ®	3	
22	0400 0077	Camicia	Piston Sleeve	Ø75	3	BP125K
	0400 0088	Camicia	Piston Sleeve	Ø70	3	BP105K
23	0020 0009	Anello Compressione	Compression Ring	Ø75	3	BP125K
	0020 0001	Anello Compressione	Compression Ring	Ø70	3	BP105K
24	2409 0081	Pistone	Piston	Ø75	3	BP125K
	2409 0096	Pistone	Piston	Ø70	3	BP105K
25	3020 0001	Seegeer Interno	Inner Seeger	Ø15	6	
26	3011 0001	Spinotto	Gudgeon Pin	Ø15x53	3	
27	0205 0034	Kit Biella 3SET	Connecting Rod Assembly		1	
28	3212 0023	Tubo Aspirazione	Suction Hose		1	
29	1210 0047	Guarnizione OR	O-Ring	Ø2,62x22,22	3	
30	3213 0012	Tubo Aspirazione	Suction Pipe		2	
31	1210 0034	Guarnizione OR	O-Ring	Ø3,53x28,17	1	
32	1200 0011	Galletto	Wing Nut		1	
33	2801 0063	Raccordo p.g. Aspir. Curvo	Suction Elbow Tail	Ø25x40	1	BP125K
	2801 0009	Raccordo p.g. Aspir. Curvo	Suction Elbow Tail	Ø25x35	1	BP105K
34	2803 0033	Raccordo Rapido p.g. Curvo	Elbow Quick Coupling	Ø20	1	
35	1210 0002	Guarnizione OR	O-Ring	Ø2,62x20,7	2	
36	1210 0419	Guarnizione OR	O-Ring	Ø6x37x49	6	
37	3009 0022	Sede Valv. Aspir./Mandata	Suct./Delivery Valve Seat		6	
38	3604 0009	Valvola Aspiraz./Mandata	Suction/Delivery Valve		6	
39	1802 0255	Molla	Spring		6	
40	1205 0034	Gabbia Valv. Aspir./Mand.	Suct./Delivery Valve Cage		6	
41	1220 0046	Gruppo Valvola Asp./Mand.	Suct./Del. Valve Ass.y Kit		6	
42	3218 0123	Testata Pompa	Pump Manifold		3	
43	2811 0098	Rondella	Washer	Ø10,5x18x2	12	
44	3609 0161	Vite	Screw	M10x45	12	
45	0418 0041	Cavallotto	U-Bolt		3	
46	3609 0160	Vite	Screw	M10x30	3	
47	0002 0021	Accumulatore Press. Infer.	Pressure Accumulator		1	
48	1202 0060	Gancio Fissaggio Mandata	Delivery Hook		1	

N°	Cod.	Descrizione	Description	Note	Qty	Model
49	0460 0036	Calotta Sostegno Membr.	Diaphragm Support Cap		1	
50	1800 0034	Membrana Accumulatore	Diaphragm		1	
51	0003 0030	Accumulatore Press. Sup.	Pressure Accumulator	Arancione/Orange	1	BP125K
	0003 0015	Accumulatore Press. Sup.	Pressure Accumulator	Nero / Black	1	BP105K
52	3610 0003	Valvola Aria	Air Valve		1	
53	1209 0033	Guarnizione	Gasket	Ø14x7,5x2	2	
54	2811 0089	Rondella	Washer	Ø10,5x18x1,6	4	
55	0604 0105	Dado	Nut	M10	4	
56	0604 0073	Dado	Nut	M10X1	2	
57	2400 0108	Piede Sostegno Pompa	Pump Mounting Bracket		2	
58	3609 0051	Vite	Screw	M10x90	2	

Varianti

Version

60	3622 0011	Vite Senza Testa Esag. Inc.	Screw	M8x10	2	
61	1802 0040	Molla (Filo Ø2,5) + Gancio	Spring (Wire Ø2,5) + Hook	Øe20x100	1	
62	0600 0037	Dado Speciale	Special Bolt	M12x6	1	
63	0417 0005	Collare Innesto Attacco Rap.	Collar		1	
64	1407 0006	Innesto Calettato	Quick Coupling	Ø1"3/8	1	
65	2811 0025	Rondella	Washer	Ø13x20x2,5	1	
66	3607 0115	Vite Testa Esagonale	Hexagonal Screw	M12x75	1	
67	1202 0009	Gancio	Hook		2	
68	0465 0001	Catena ad Anelli	Chain	500 mm	2	
69	1202 0006	Gancio	Hook	Ø6	2	
70	3221 0001	Traversa Attacco Rapido	Torque Arm for Quick Coup.		1	
71	5002 0008	Kit Traversa Attacco Rapido	Torque Arm for Quick Coup. Kit		1	

Varianti

Version

75	0001 0394	Albero Non Passante	NON-Throughshaft	Ø30 Cil.	1	BP125K
	0001 0136	Albero Non Passante	NON-Throughshaft	Ø30 Cil.	1	BP105K
76	0438 0016	Cuscinetto a Sfere	Ball Bearing	Ø30x62x16	1	
77	1602 0018	Linguetta	Key	8x7x40	1	
78	0019 0101	Anello Tenuta	Oil Seal	Ø30x62x7	1	BP125K
	0019 0016	Anello Tenuta	Oil Seal	Ø30x62x10	1	BP105K

Kit

Optional

80	1219 0042	Valvola di Sicurezza	Safety Valve	20 Bar 0-100L	1	
81	2803 0359	Raccordo porta Valvola	Safety Valve Coupling	Ø19 - G3/8"	1	
82	1210 0002	Guarnizione OR	O-Ring	Ø2,62x 20,7	2	
83	2803 0352	Kit Valvola di Sicurezza	Safety Valve Kit	20 Bar 0-100L	1	

Kit Manutenzione

Maintenance Kit

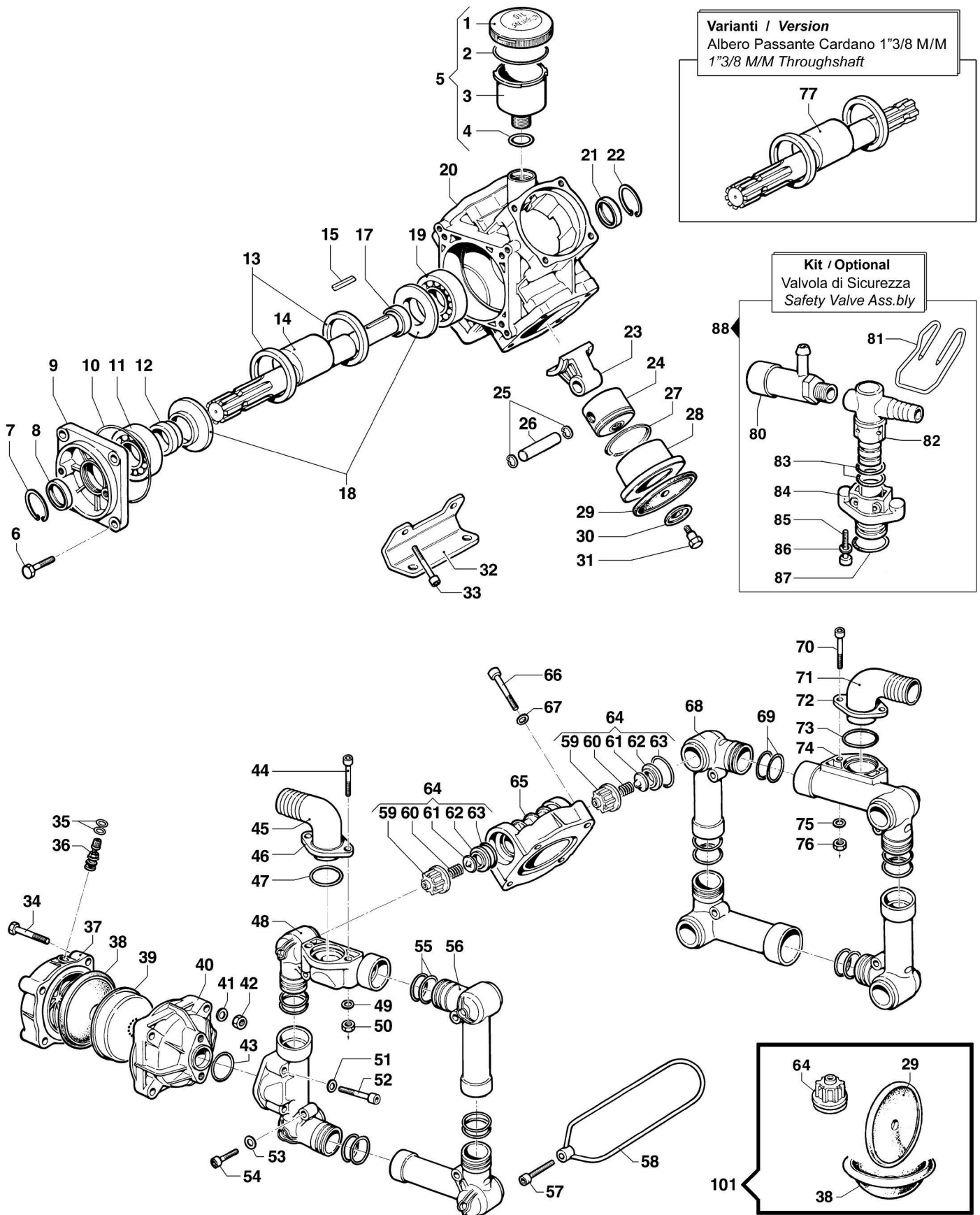
101	5026 0326	Kit Ricambi Manutenzione	Ordinary Maintenance Kit		1	
-----	-----------	--------------------------	--------------------------	--	---	--

BP K Series

BP 151 K - BP 171 K

Pompe a Membrana - Diaphragm Pumps

550 RPM



Pompa Base
Standard Pump

Albero Passante 1"3/8-Ø30 Cil.
 1"3/8-Ø30 Cyl. Throughshaft

BP 151 K - BP 171 K

550 RPM

N°	Cod.	Descrizione	Description	Note	Qty	Model
1	0402 0143	Coperchio Compens. Volum.	Volum. Compensator Cover		1	
2	1210 0373	Guarnizione OR	O-Ring	Ø3,53x73,03	1	
3	0421 0012	Compens. Volumetrico	Volum. Compensator		1	
4	1210 0002	Guarnizione OR	O-Ring	Ø2,62x20,7	1	
5	1208 0015	Gruppo Compens. Volum.	Volumetric Compensator		1	
6	3607 0220	Vite Testa Esagonale	Hexagonal Screw	M10x30	4	
7	3020 0009	Seeger Interno	Inner Seeger	Ø47	1	
8	0019 0083	Anello Tenuta	Oil Seal	Ø35x47x7	1	
9	0405 0067	Coperchio Supp. porta Cusc.	Support Cover		1	
10	1210 0345	Guarnizione OR	O-Ring	Ø1,78x101,32	1	
11	0438 0094	Cuscinetto a Sfere	Ball Bearing	Ø35x80x21	1	
12	0601 0132	Distanziale	Spacer	Ø35xØ48x18	1	
13	0010 0020	Anello Tenuta Biella	Connecting Rod Ring	Ø80x68	2	
14	0001 0402	Albero Passante	Throughshaft	1"3/8-Ø30 Cil.	1	
15	1602 0018	Linguetta	Key	8x7x40	1	
17	0601 0134	Distanziale	Spacer	Ø35xØ44x10	1	
18	2813 0036	Rondella Tenuta Biella	Connecting Rod Washer		2	
19	0438 0094	Cuscinetto a Sfere	Ball Bearing	Ø35x80x21	1	
20	0403 0118	Carter Pompa	Pump Crankcase		1	
21	0019 0083	Anello Tenuta	Oil Seal	Ø35x47x7	1	
22	3020 0009	Seeger Interno	Inner Seeger	Ø47	1	
23	0205 0038	Kit Biella 4SET	Connecting Rod Ass.y		1	
24	2409 0081	Pistone	Piston	Ø75	4	BP171K
	2409 0096	Pistone	Piston	Ø70	4	BP151K
25	3020 0001	Seeger Interno	Inner Seeger	Ø15	8	
26	3011 0001	Spinotto	Gudgeon Pin	Ø15x53	4	
27	0020 0009	Anello Compressione	Compression Ring	Ø75	4	BP171K
	0020 0001	Anello Compressione	Compression Ring	Ø70	4	BP151K
28	0400 0077	Camicia	Piston Sleeve	Ø75	4	BP171K
	0400 0088	Camicia	Piston Sleeve	Ø70	4	BP151K
29	1800 0002	Membrana Pompa	Diaphragm	Gomma Nitrilica Buna Rubber	4	
	1800 0178	Membrana Pompa	Diaphragm	Desmopan ®	4	
	1800 0032	Membrana Pompa	Diaphragm	Viton ®	4	
30	0602 0045	Disco Tenuta Membrana	Disc		4	
31	3605 0005	Vite Speciale Tenuta Membr.	Diaphragm Holder Screw	M12x1,5	4	
32	2400 0064	Piede Sostegno Pompa	Pump Mounting Bracket		2	
33	3609 0192	Vite	Screw	M10x50	4	
34	3607 0223	Vite Testa Esagonale	Hexagonal Screw	M10x65	4	
35	1209 0033	Guarnizione	Gasket	Ø14x7,5x2	2	
36	3610 0003	Valvola Aria	Air Valve		1	
37	0003 0030	Accumulat. Press. Sup.	Pressure Accumulator	Aranzone / Orange	1	BP171K
	0003 0015	Accumulat. Press. Sup.	Pressure Accumulator		1	BP151K
38	1800 0034	Membrana Accumulat.	Diaphragm		1	
39	0460 0036	Calotta Sostegno Membr.	Diaphragm Support Cap		1	
40	0002 0024	Accumulat. Press. Infer.	Pressure Accumulator		1	
41	2811 0098	Rondella	Washer	Ø10,5x18x2	4	
42	0604 0105	Dado	Nut	M10	4	
43	1210 0185	Guarnizione OR	O-Ring	Ø4,0x38	1	
44	3609 0156	Vite	Screw	M8x55	2	
45	2801 0032	Raccordo p.g. Curvo	Elbow Coupling	Ø25	1	
46	2404 0108	Piastra Fiss. Raccordo	Hose Tail Fixing Plate		1	
47	1210 0180	Guarnizione OR	O-Ring	Ø3x29	1	
48	3214 0039	Tubo Mandata	Delivery Hose		2	
49	2811 0099	Rondella	Washer	Ø8,4x15x1,6	4	

N°	Cod.	Descrizione	Description	Note	Qty	Model
50	0604 0107	Dado	Nut	M8	2	
51	2811 0099	Rondella	Washer	Ø8,4x15x1,6	1	
52	3609 0156	Vite	Screw	M8x55	2	
53	2811 0099	Rondella	Washer	Ø8,4x15x1,6	4	
54	3609 0162	Vite	Screw	M8x40	4	
55	1210 0011	Guarnizione OR	O-Ring	Ø3,0x36	8	
56	3214 0038	Tubo Mandata	Delivery Hose		2	
57	3609 0163	Vite	Screw	M10x40	4	
58	0418 0040	Cavallotto	U-Bolt		4	
59	1205 0034	Gabbia Valv. Aspir./Mand.	Suct./Deliv. Valve Cage		8	
60	1802 0255	Molla	Spring		8	
61	3604 0009	Valvola Aspir./Mandata	Suction/Delivery Valve		8	
62	3009 0022	Sede Valvola Asp./Mand.	Suct./Deliv. Valve Seat		8	
63	1210 0419	Guarnizione OR	O-Ring	Ø6x37x49	8	
64	1220 0046	Gruppo Valv. Asp./Mand.	Suct./Del. Valve Ass.y kit		8	
65	3218 0123	Testata Pompa	Pump Manifold		4	
66	3609 0192	Vite	Screw	M10x50	12	
67	2811 0098	Rondella	Washer	Ø10,5x18x2	12	
68	3214 0038	Tubo Mandata	Delivery Hose		3	
69	1210 0011	Guarnizione OR	O-Ring	Ø3,0x36	8	
70	3609 0140	Vite	Screw	M8x55 INOX	2	
71	2801 0055	Raccordo p.g. Curvo	Elbow Coupling	Ø40	1	
72	2404 0108	Piastra Fiss. Raccordo	Hose Tail Fixing Plate		1	
73	1210 0180	Guarnizione OR	O-Ring	Ø3x29	1	
74	3214 0039	Tubo Mandata	Delivery Hose		1	
75	2811 0099	Rondella	Washer	Ø8,4x15x1,6	4	
76	0604 0107	Dado	Nut	M8	2	

Varianti

Version

77	0001 0412	Albero Passante	Throughshaft	1"3/8 M - 1"3/8 M	1	
----	-----------	-----------------	--------------	-------------------	---	--

Kit

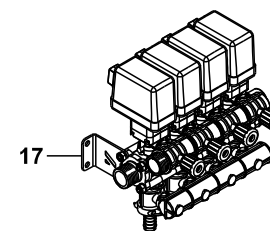
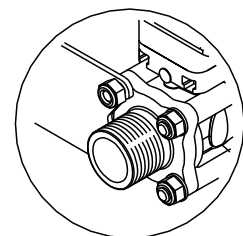
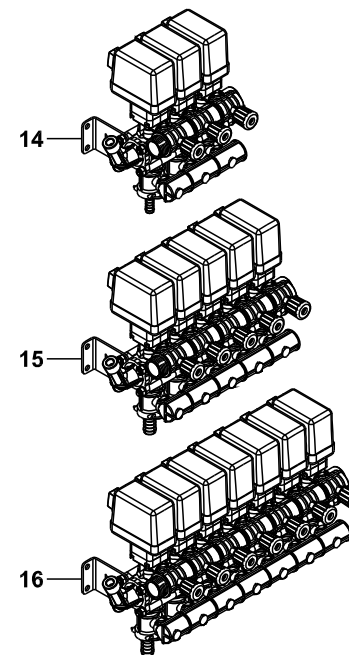
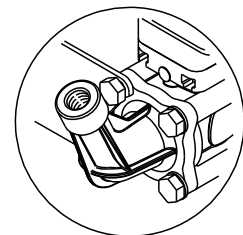
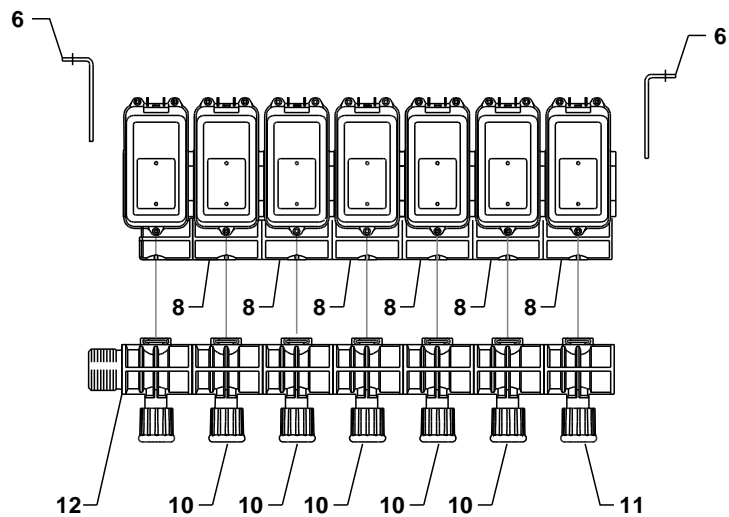
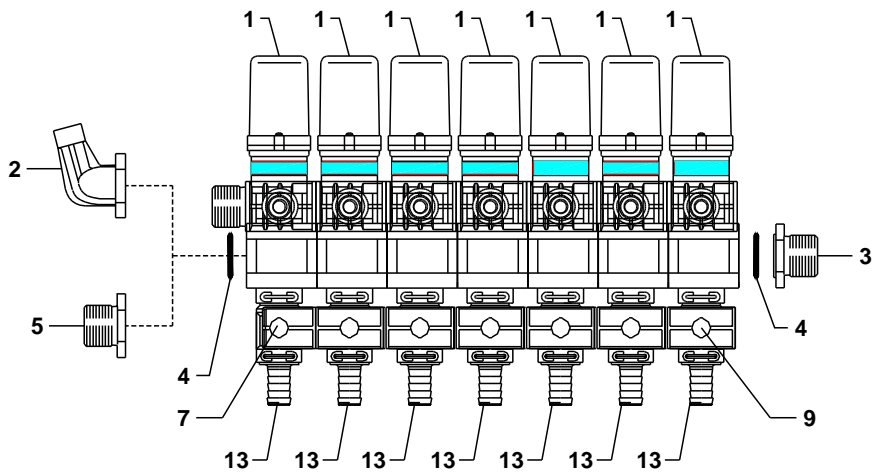
Optional

80	1219 0043	Valvola di Sicurezza	Safety Valve	20Bar100-200L	1	
81	1202 0060	Gancio Fiss. Mandata	Delivery Hook		1	
82	2803 0356	Raccordo porta Valvola	Safety Valve Coupling	Ø25 - G1/2"	1	
83	1210 0002	Guarnizione OR	O-Ring	Ø2,62X 20,7	2	
84	2803 0334	Raccordo Speciale	Special Coupling		1	
85	3609 0159	Vite	Screw	M8x50	2	
86	2811 0099	Rondella	Washer	Ø8,4x15x1,6	2	
87	1210 0180	Guarnizione OR	O-Ring	Ø3,0x29	1	
88	2803 0364	Kit Valvola di Sicurezza	Safety Valve Kit	20Bar100-200L	1	

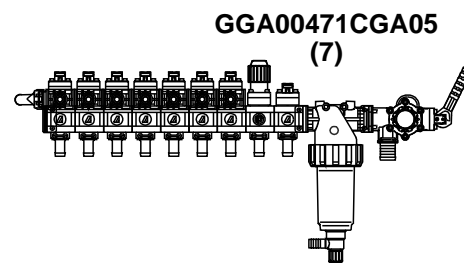
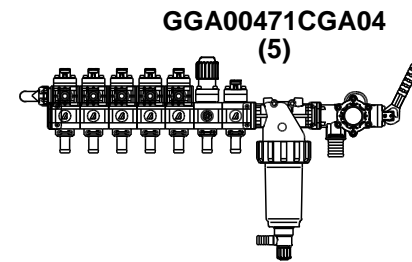
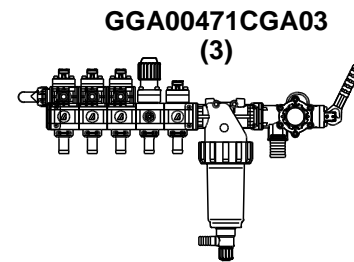
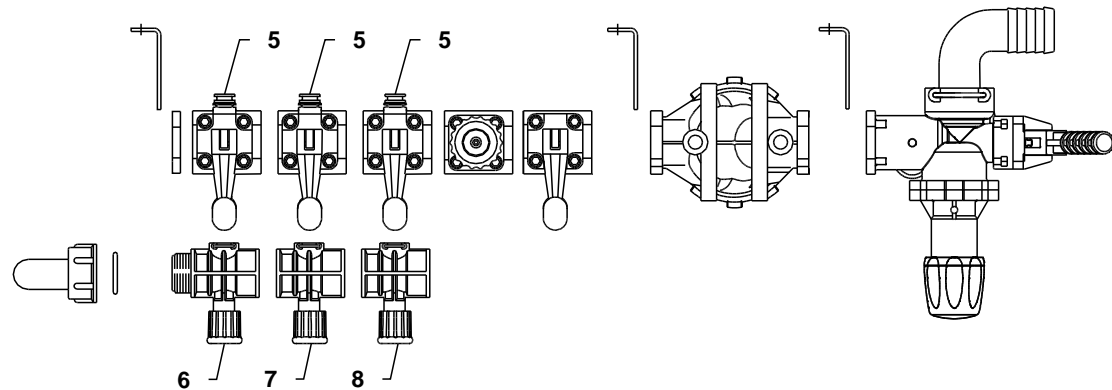
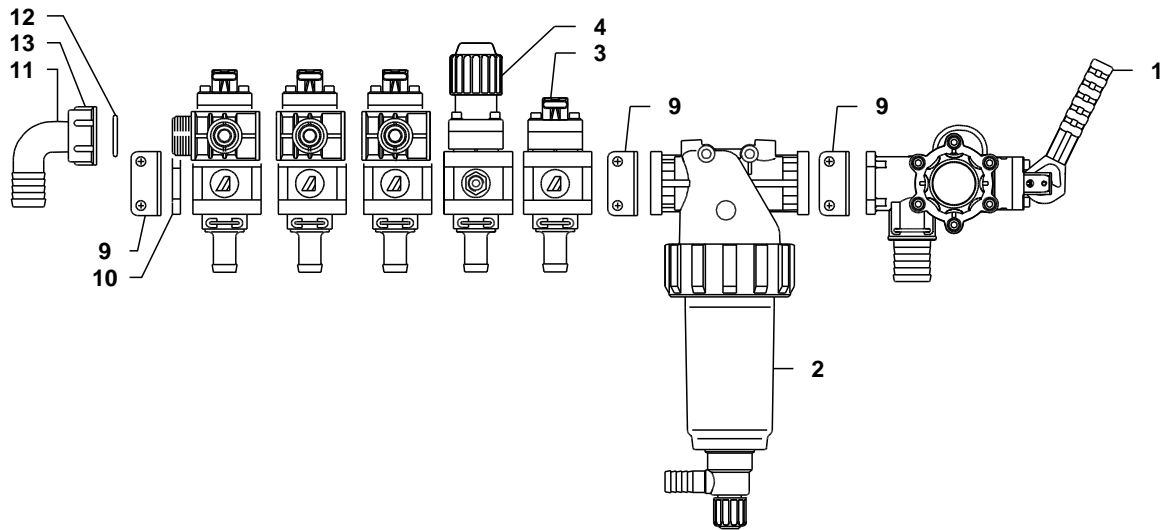
Kit Manutenzione

Maintenance Kit

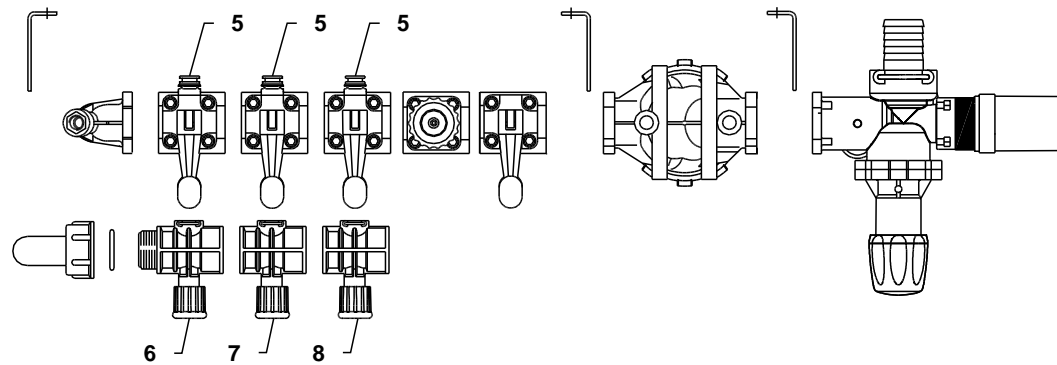
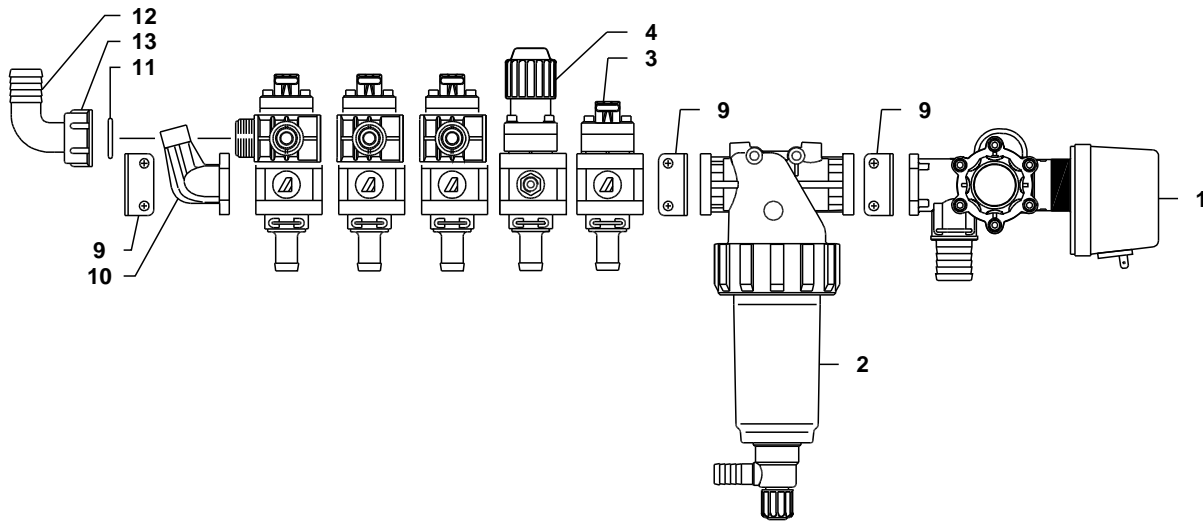
101	5026 0145	Kit Ricambi Manutenzione	Ordinary Maintenance Kit		1	
-----	-----------	--------------------------	--------------------------	--	---	--



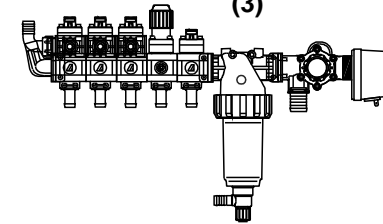
- | | | |
|----|----------------|------------|
| 1 | A- 463011S.910 | |
| 2 | GGA463011.130 | |
| 3 | GGA463000.040 | |
| 4 | GGA00G10071V | |
| 5 | GGA463000.140 | |
| 6 | GGA463011.100 | |
| 7 | A- 463000.260A | |
| 8 | A- 463000.360A | |
| 9 | A- 463000.460A | |
| 10 | GGA463010.802 | |
| 11 | GGA463010.801 | |
| 12 | GGA463010.803 | |
| 13 | A- 463001.A19 | D=19mm |
| 13 | BG010589 | D=13mm |
| 14 | GGA00463CGA12 | 3 funzioni |
| 15 | GGA00463CGA13 | 5 funzioni |
| 16 | GGA00463CGA14 | 7 funzioni |
| 17 | BG019074 | 4 funzioni |



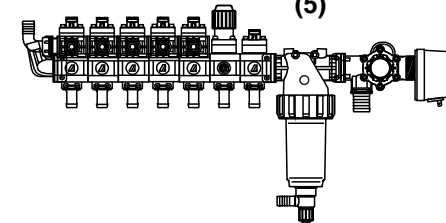
- 1 BG013367
- 2 GGA0032621135
- 3 GGA00463051
- 4 GGA00463074
- 5 GGA00463061
- 6 GGA463010.803
- 7 GGA463010.802
- 8 GGA463010.801
- 9 GGA463011.100
- 10 GGA463011.120
- 11 GGA00116425
- 12 GGA00G10041V
- 13 GGA002002040



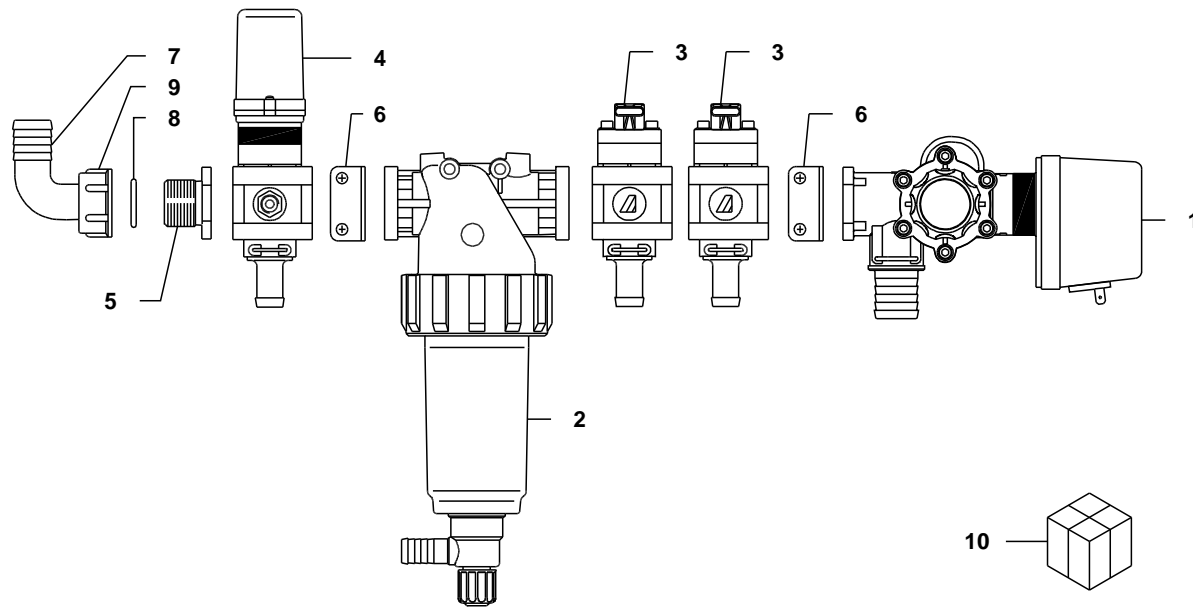
**GGA00471CGA08
(3)**



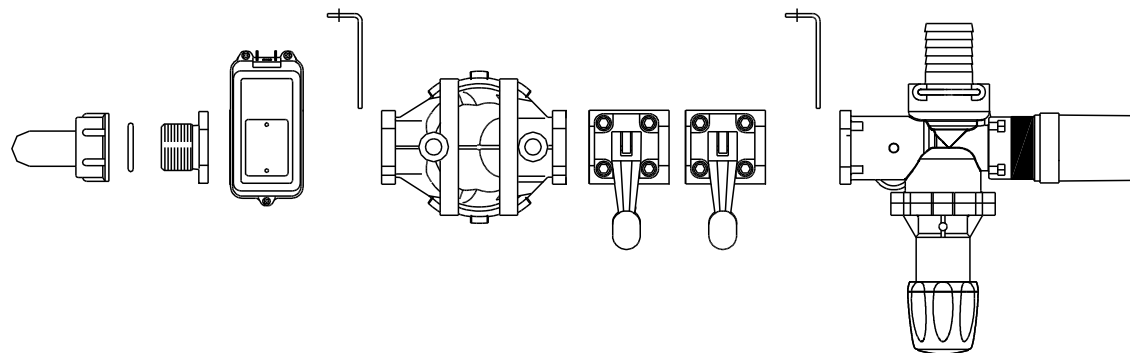
**GGA00471CGA09
(5)**



- 1 BG013045
- 2 GGA0032621135
- 3 GGA00463051
- 4 GGA00463074
- 5 GGA00463061
- 6 GGA463010.803
- 7 GGA463010.802
- 8 GGA463010.801
- 9 GGA463011.100
- 10 GGA463011.130
- 11 GGA00116425
- 12 GGA00G10041V
- 13 GGA002002040

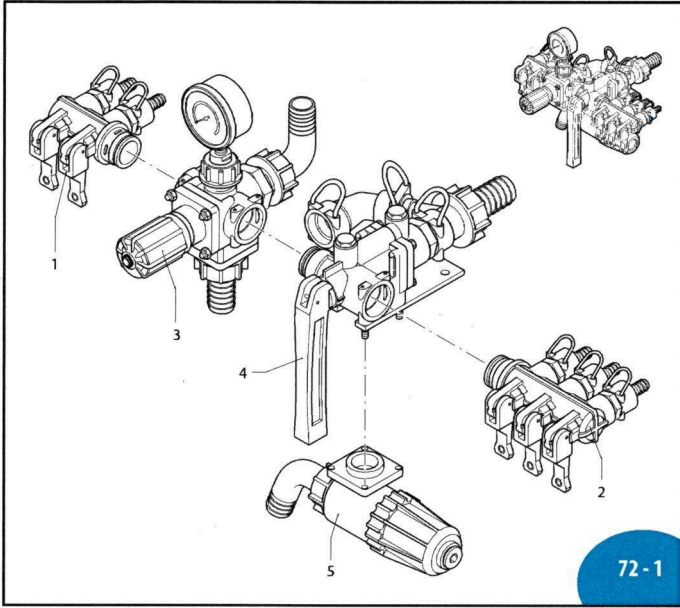


- 1 BG013045
- 2 GGA0032621135
- 3 GGA00463051
- 4 GGA00463020
- 5 GGA463000.140
- 6 GGA46311.100
- 7 GGA00116425
- 8 GGA00G10041V
- 9 GGA002002040
- 10 GGA00471CGA11

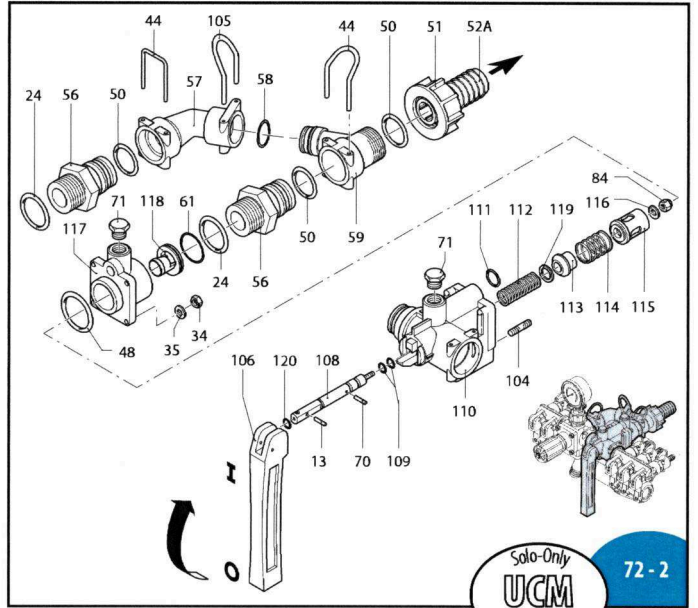


ECM - UCM

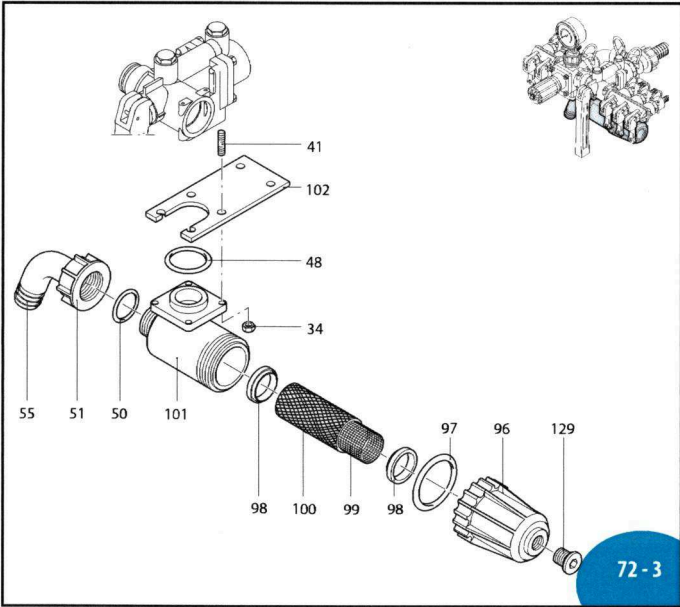
(398600)



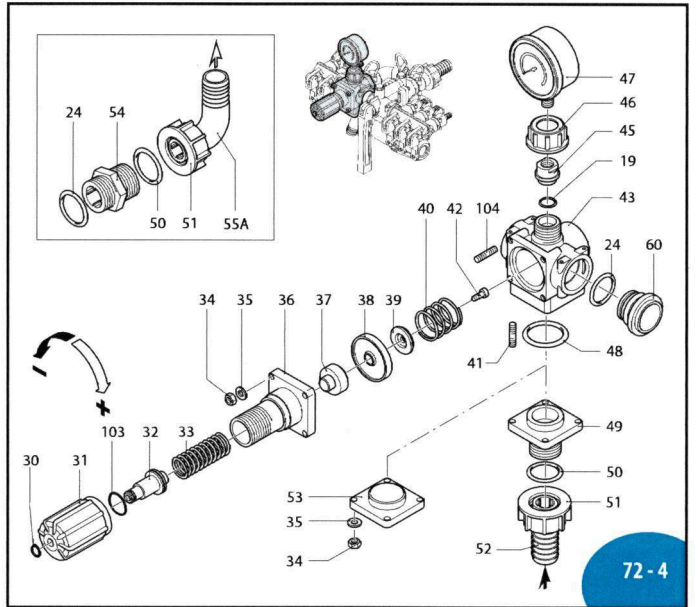
UN970192-DD



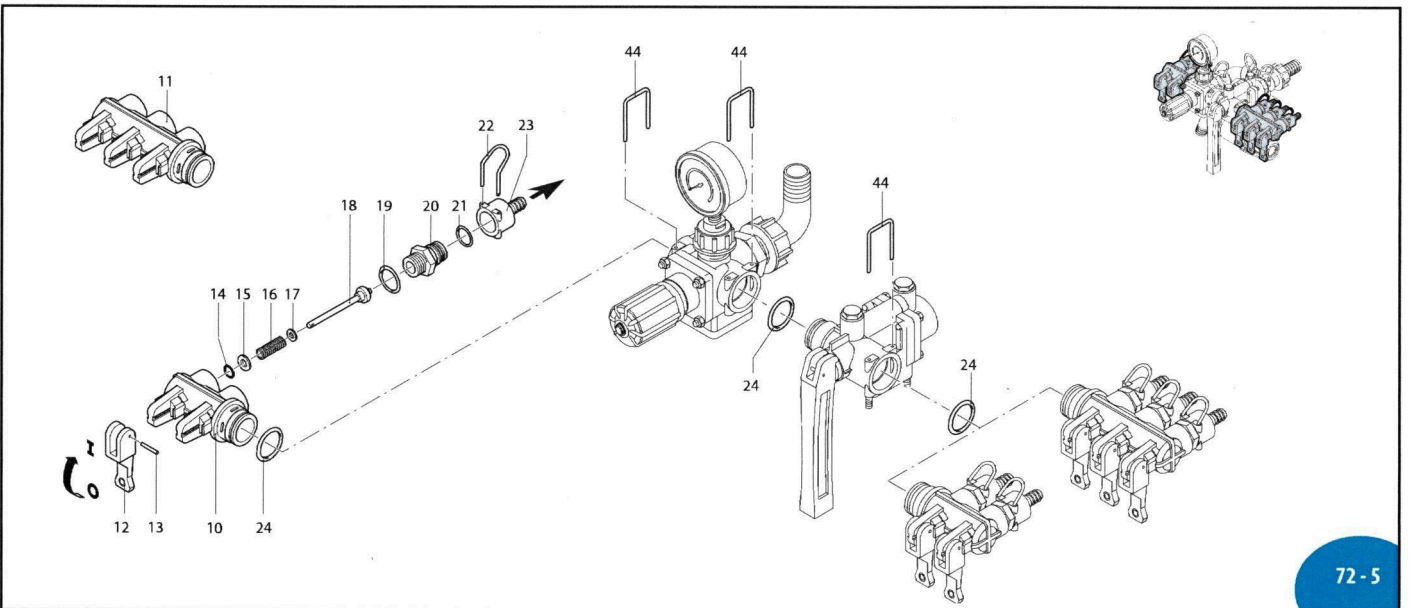
UN970193-DD



UN970194-DD



UN970196-DD



UN970195-DD

ECM - UCM

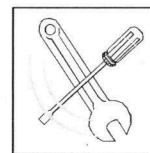
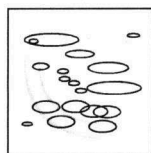
sp_ECM_UCM.pdf

Pos.	Cod.	Descrizione	Description	Q.ty	Note
1	1547	Gruppo rub.2 vie SX	Left 2-way valve	1	Uscita/Outlet ø 12
	1548	Gruppo rub.3 vie SX	Left 3-way valve	1	Uscita/Outlet ø 12
2	1571	Gruppo rub.2 vie DX	Right 2-way valve	1	Uscita/Outlet ø 12
	1572	Gruppo rub.3 vie DX	Right 3-way valve	1	Uscita/Outlet ø 12
3	1348	Valvola reg.comp.ECM	ECM compl.reg.valve	1	
	1349	Valvola reg.comp.UCM	UCM compl.reg.valve	1	
4	1351	Corpo distributore+R	Distributor body+R	1	
5	1553	Gruppo filtro compl.	Complete filter	1	
10	394850	Corpo rubinetto 2 vie	2-way valve body	1	
11	394860	Corpo rubinetto 3 vie	3-way valve body	1	
12	394690	Leva rubinetto rossa	Red valve lever	4	
13	390330	Spina elastica	Pin	5	
14	390341	OR ø 5x2	O-Ring	4	☒
15	393790	Rosetta øi 6,4	Washer	4	☒
16	390300	Molla asta valvola	Spring	4	☒
17	390313	Rosetta øi 9	Washer	4	☒
18	390323	Asta valvola completa	Complete valve rod	4	☒
19	180101	OR ø 17,5x2	O-Ring	5	☒
20	392600	Niples sede 20x1,5	Threaded adapter	4	☒
21	640070	OR ø 13,95x2,62	O-Ring	4	☒
22	392580	Forcella	Fork	4	
	392870	Portagomma ø 10	Hose tail	4	
	392590	Portagomma ø 12	Hose tail	4	
	392620	Portagomma ø 20	Hose tail	4	
24	390291	OR ø 28,25x2,62	O-Ring	5	☒
30	480550	Anello seeger	Circlip	1	
31	394790	Manopola regolazione	Adjustment knob	1	
32	394770	Perno compr. molla	Spring pin	1	
33	1040830	Molla	Spring	1	☒
34	390440	Dado M 6	Nut	16	C ₁₀
35	550331	Rosetta øi 6,5	Washer	12	
36	394780	Corpo superiore	Upper body	1	
37	394751	Pistone	Piston	1	
	394741	Membranina	Diaphragm	1	Gomma
	394740	Membranina	Diaphragm	1	Desmopan
	394742	Membranina	Diaphragm	1	Viton
39	394720	Valvola	Valve	1	
40	394730	Molla di contrasto	Spring	1	
41	394830	Prigioniero M 6x34	Stud	8	C ₆
42	680700	Vite TCEI M 6x20	Bolt	1	☉
43	394700	Corpo valvola reg.	Regulating valve body	1	
44	395530	Forcella	Fork	5	
45	394800	Attacco manometro	Pressure gauge attach.	1	
46	550450	Girello 3/4" G	Ring nut	1	
47	391240	Manometro ø 63	Pressure gauge	1	0-24 bar ☉
48	660170	OR ø 31,42x2,62	O-Ring	3	☒
49	394810	Flangia entrata	Flange	1	
50	550350	OR ø 23,81x2,62	O-Ring	4	☒
51	550242	Girello 1" G	Ring nut	2	
52	550210	Tubetto ø 25	Hose tail	2	
53	394840	Flangia chiusura	Flange	1	
54	550340	Niples 1"G(M)-1"G(M)	Threaded adapter	1	
55	550370	Curva ø 25	Elbow	1	
56	395000	Niples collettore	Manifold nipples	2	
57	395520	Collettore corpo reg.	Body manifold	1	
58	390060	OR ø 20,63x2,62	O-Ring	1	
59	395020	Coll. corpo principale	Body manifold	1	
60	394870	Tappo chiusura lat.	Plug	1	
61	770260	OR ø 23,52x1,78	O-Ring	1	
70	392120	Spina elastica	Pin	1	
71	880581	Tappo 1/4" G	Plug	2	C ₃
84	395390	Dado M6	Nut	1	C ₁₀
96	396100	Coperchio filtro	Filter cover	1	
97	395081	OR ø 47,30x2,62	O-Ring	1	Viton ☒
98	395071	Guarnizione filtro	Filter gasket	2	
99	396110	Filtro interno	Internal filter	1	
100	396130	Rete esterna	External grid	1	
101	395030	Scatola filtro	Filter box	1	
102	394820	Staffa	Bracket	1	
103	770130	OR ø 20,35x1,78	O-Ring	1	☒
104	392330	Prigioniero M 6x30	Stud	8	C ₁₀
105	850730	Forcella	Fork	1	

Pos.	Cod.	Descrizione	Description	Q.ty	Note
106	1660560	Leva comando	Control lever	1	
108	1660020	Asta valvola	Complete valve rod	1	
109	480561	OR ø 6,85x1,78	O-Ring	2	Viton ☒
110	1660010	Corpo valvola reg.	Main valve	1	
111	1660230	OR ø 13x2	O-Ring	1	
112	1660541	Molla	Spring	1	
113	1660050	Valvola aliment.barra	Feed rod valve	1	
114	1660090	Molla	Spring	1	
115	1660080	Guida com. risucchio	Guide	1	
116	393790	Rosetta øi 6,4	Washer	1	
117	1660060	Flangia risucchio	Flange	1	
	1660100	Sede risuc. ø 7 Rosso	Red seat	1	Vedi/See ●
	1660110	Sede risuc. ø 9 Arancio	Orange seat	1	Vedi/See ▲
	1660120	Sede risuc. ø 10,5 Blu	Blue seat	1	Vedi/See ■
119	1660140	Rondella	Washer	1	
120	1660551	OR ø 7x2	O-Ring	1	Viton
129	396590	Tappo 3/8" G+guarn.	Plug & gasket	1	☉

Nota: Le quantità espresse sono riferite alla versione a 4 rubinetti
Note: The quantities refer to the 4 valves version

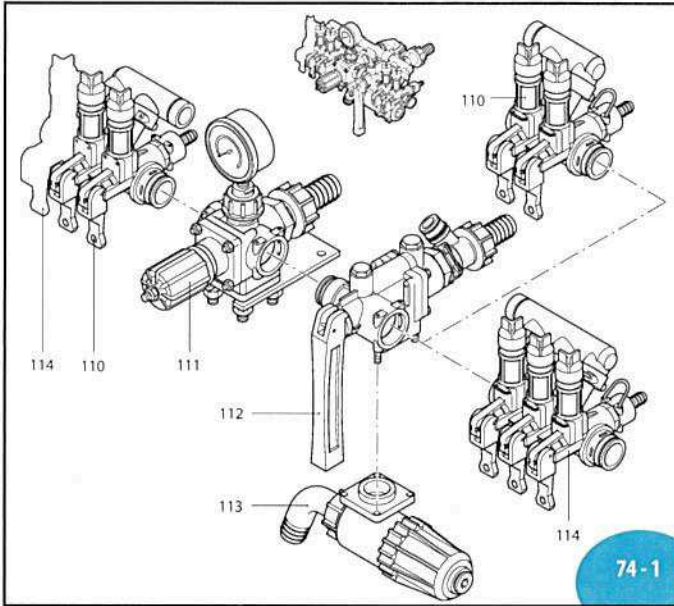
● Per/For:	AR 70 bp	● Per/For:	AR 60 bp
▲ Per/For:	AR 115-135 bp - AR 125-145 bp	▲ Per/For:	AR 100 bp - AR 120 bp
■ Per/For:	AR 160 bp	■ Per/For:	AR 150 bp



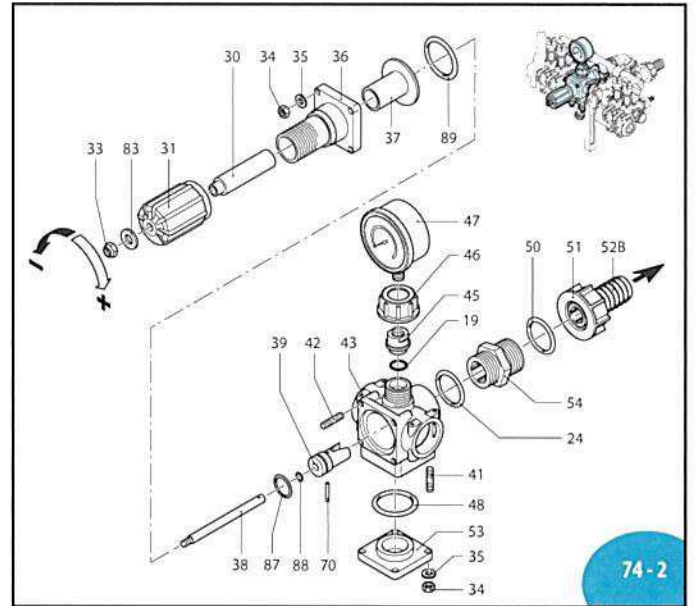
KIT 2346 OR O-Rings			
Pos.	Q.ty	Pos.	Q.ty
14	5	109	2
19	7	111	1
21	5	120	1
24	5		
48	3		
50	4		
58	1		
61	1		
97	1		
103	1		

KIT 2339 Pronto intervento Maintenance repair			
Pos.	Q.ty	Pos.	Q.ty
12	2	60	1
14	5	61	1
18	2	98	2
24	5	106	1
38	1	109	2
39	1	113	1
44	1	115	1
51	1	120	1
55	1		
58	1		

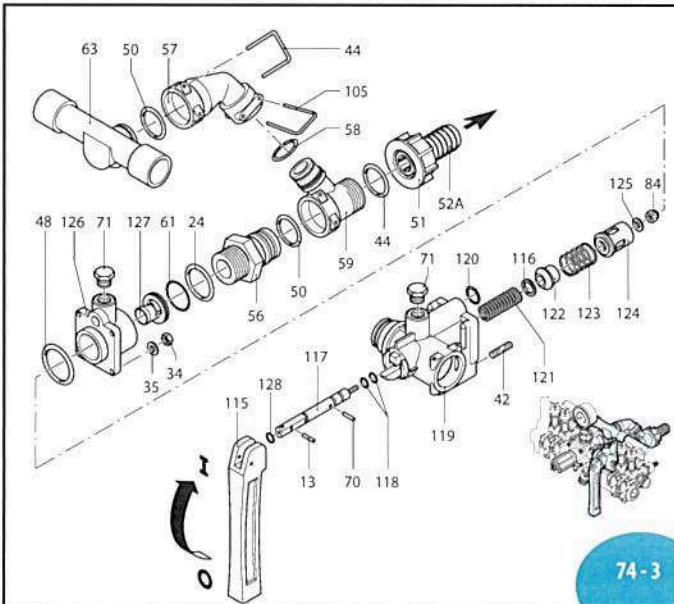
Gruppi comando



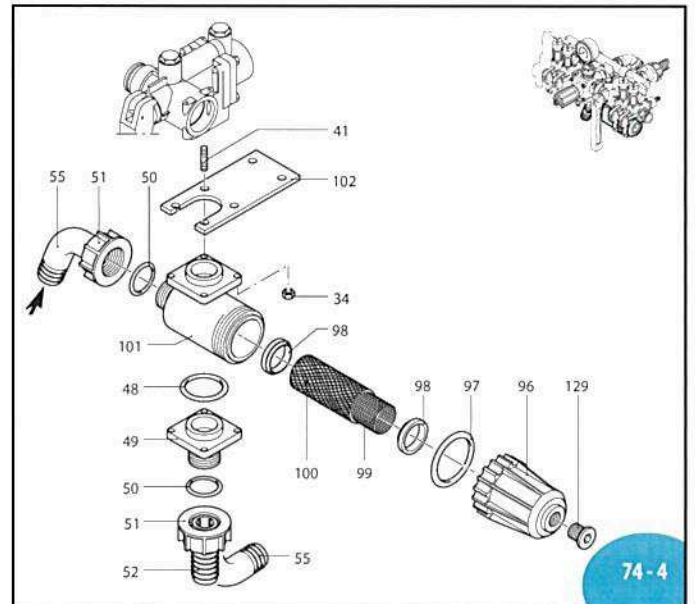
UN970187-DD



UN970188-DD



UN970189-DD



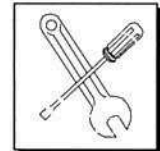
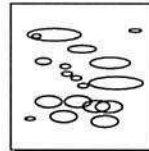
IDROMINUS

Pos.	Cod.	Descrizione	Description	Q.ty	Note
1	395430	Reg. scarico pressione	Press.discharge adjust.	4	
2	395590	OR ø 8x2,5	O-Ring	4	▶
3	395420	Deviatore	Body	4	
5	395410	Forcella	Fork	4	
10	395400	Corpo rubinetto 2 vie	2-way valve body	2	
11	395470	Valvola chiusura	Valve	4	
12	394690	Leva rubinetto rossa	Red valve lever	4	
13	390330	Spina elastica	Pin	5	
14	390341	OR ø 5x2	O-Ring	4	
15	393790	Rosetta øi 6,4	Washer	4	
16	395480	Molla	Spring	4	
17	390313	Rosetta øi 9	Washer	8	
18	395450	Asta valvola completa	Complete valve rod	4	
19	180101	OR ø 17,5x2	O-Ring	5	
20	392600	Niples sede 20x1,5	Threaded adapter	4	
	392604	Tappo	Plug	-	Optional
21	640070	OR ø 13,95x2,62	O-Ring	8	▶
22	392580	Forcella	Fork	4	
	392870	Portagomma ø 10	Hose tail	4	
	392590	Portagomma ø 12	Hose tail	4	
	392620	Portagomma ø 20	Hose tail	4	
24	390291	OR ø 28,25x2,62	O-Ring	7	▶
25	395490	Rosetta øi 6	Washer	4	
26	1080190	OR ø 2,90x1,78	O-Ring	4	
27	393300	Spina elastica	Pin	4	
30	395560	Distanziale	Spacer	1	
31	394790	Manopola regolazione	Adjustment knob	1	
33	391560	Dado M 6 H 8	Nut	1	
34	390440	Dado M 6	Nut	16	
35	550331	Rosetta øi 6,5	Washer	12	
36	394780	Corpo superiore	Upper body	1	⊗
37	395570	Centraggio	Spigot	1	⊗
38	395541	Asta valvola	Complete valve rod	1	
39	395551	Valvola volumetrica	Volumetric valve	1	
40	395460	Molla	Spring	4	
41	394830	Prigioniero M 6x34	Stud	8	
42	392330	Prigioniero M 6x30	Stud	8	
43	394700	Corpo valvola reg.	Regulating valve body	1	
44	395530	Forcella	Fork	7	
45	394800	Attacco manometro	Pressure gauge attach.	1	
46	550450	Girello 3/4" G	Ring nut	1	
47	391240	Manometro ø 63	Pressure gauge	1	0-24bar ⊕
48	660170	OR ø 31,42x2,62	O-Ring	3	
49	394810	Flangia entrata	Flange	1	
50	550350	OR ø 23,81x2,62	O-Ring	5	▶
51	550242	Girello 1" G	Ring nut	3	
52	550210	Tubetto ø 25	Hose tail	3	
53	394840	Flangia chiusura	Flange cover	1	
54	550340	Niples 1"G(M)-1"G(M)	Threaded adapter	1	
55	550370	Curva ø 25	Elbow	1	
56	395000	Niples collettore	Manifold nipples	1	
57	395520	Collettore corpo reg.	Body manifold	1	
58	390060	OR ø 20,63x2,62	O-Ring	3	
59	395020	Coll. corpo principale	Body manifold	1	
60	395440	Tappo chiusura lat.	Plug	2	
61	770260	OR ø 23,52x1,78	O-Ring	1	
62	395500	Collettore laterale 2vie	2-way lateral manifold	2	
63	395510	Collettore centrale	Central manifold	1	
64	395580	Biforcella	Fork	2	
70	392120	Spina elastica	Pin	2	
71	880581	Tappo 1/4" G	Plug	2	⊗ C ₁₀
73	390080	OR ø 11,91x2,62	O-Ring	4	▶
83	392551	Rosetta øi 6	Washer	1	
84	395390	Dado M6	Nut	1	
87	880830	OR ø 15,54x2,62	O-Ring	1	
88	480480	OR ø 4,48x1,78	O-Ring	1	
89	1660580	OR ø 40,95x2,62	O-Ring	1	
90	395760	Collettore laterale 3vie	3-way lateral manifold	2	
91	395770	Corpo rubinetto 3 vie	3-way valve body	2	
96	396100	Coperchio filtro	Filter cover	1	
97	395081	OR ø 47,30x2,62	O-Ring	1	Viton
98	395071	Guarnizione filtro	Filter gasket	2	

Pos.	Cod.	Descrizione	Description	Q.ty	Note
99	396110	Filtro interno	Internal filter	1	
100	396130	Rete esterna	External grid	1	
101	395030	Scatola filtro	Filter box	1	
102	394820	Staffa	Bracket	1	
105	850730	Forcella	Fork	1	
110	1452	Gruppo rubinetto 2vie	2-way valve	2	Uscita/Outlet ø 12
111	1450	Valvola reg. completa	Compl.reg.valve	1	
112	1351	Corpo distributore+R	Distributor body+R	1	
113	1553	Gruppo filtro compl.	Complete filter	1	
114	1451	Gruppo rubinetto 3vie	3-way valve	2	Uscita/Outlet ø 12
115	1660560	Leva comando	Control lever	1	
116	1660140	Rosetta øi 10,5	Washer	1	
117	1660020	Asta valvola	Complete valve rod	1	⊗
118	480561	OR ø 6,85x1,78	O-Ring	2	⊗
119	1660010	Corpo valvola reg.	Main valve	1	
120	1660230	OR ø 13x2	O-Ring	1	
121	1660541	Molla	Spring	1	
122	1660050	Valvola aliment.barra	Feed rod valve	1	
123	1660090	Molla	Spring	1	
124	1660080	Guida comando risuc.	Guide	1	
125	393790	Rosetta øi 6,4	Washer	1	
126	1660060	Flangia risucchio	Flange	1	
127	1660100	Sede risuc. ø 7 Rosso	Red seat	1	Vedi/See ●
	1660110	Sede risuc. ø 9 Arancio	Orange seat	1	Vedi/See ▲
	1660120	Sede risuc. ø 10,5 Blu	Blue seat	1	Vedi/See ■
128	1660551	OR ø 7x2	O-Ring	1	Viton
129	396590	Tappo 3/8" G+guarn.	Plug & gasket	1	⊗ C ₁₀

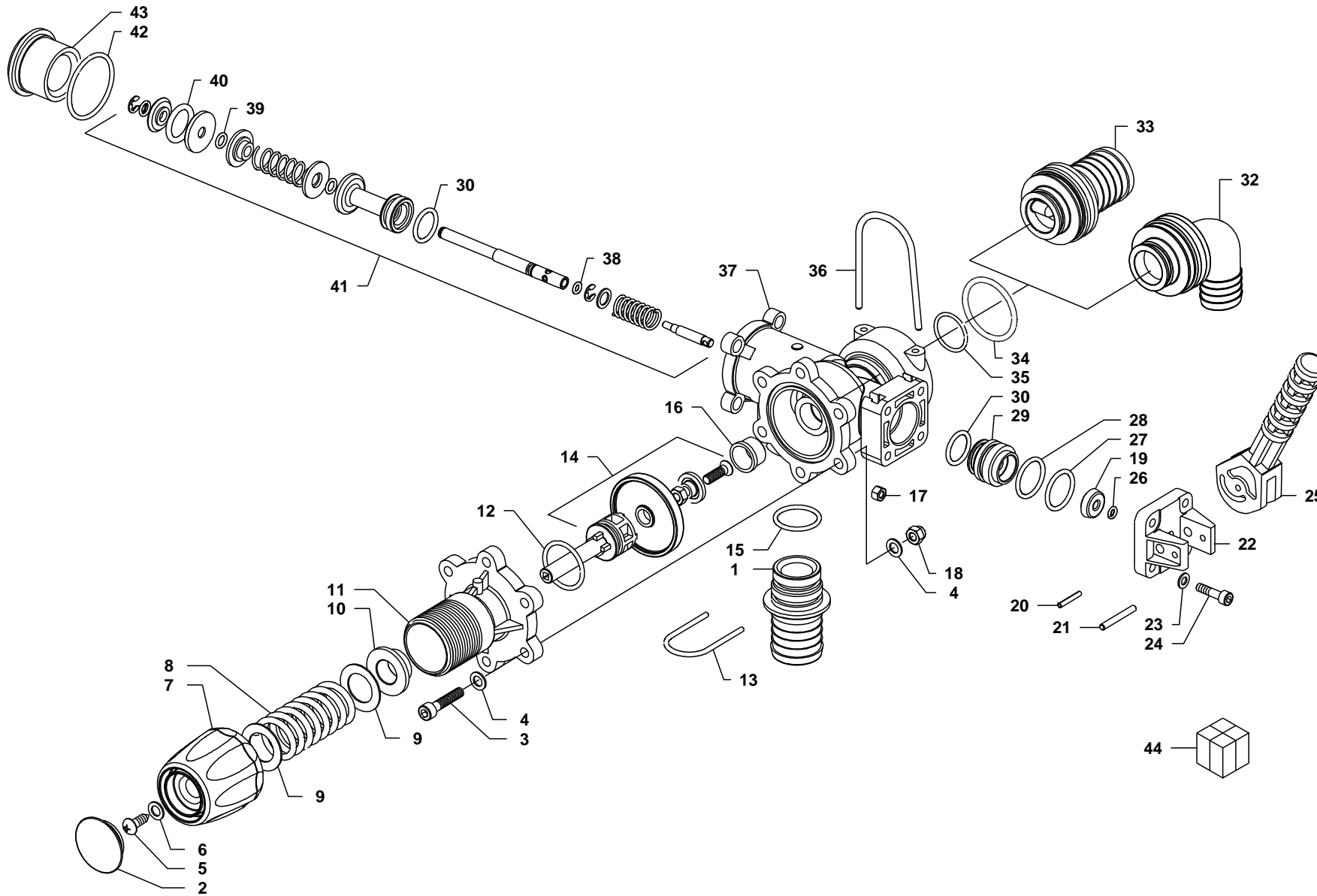
Nota: Le quantità espresse sono riferite alla versione a 4 rubinetti
Note: The quantities refer to the 4 valves version

- Per/For: AR 70 bp
- Per/For: AR 60 bp
- ▲ Per/For: AR 115-135 bp - AR 125-145 bp
- ▲ Per/For: AR 100 bp - AR 120 bp
- Per/For: AR 160 bp
- Per/For: AR 150 bp

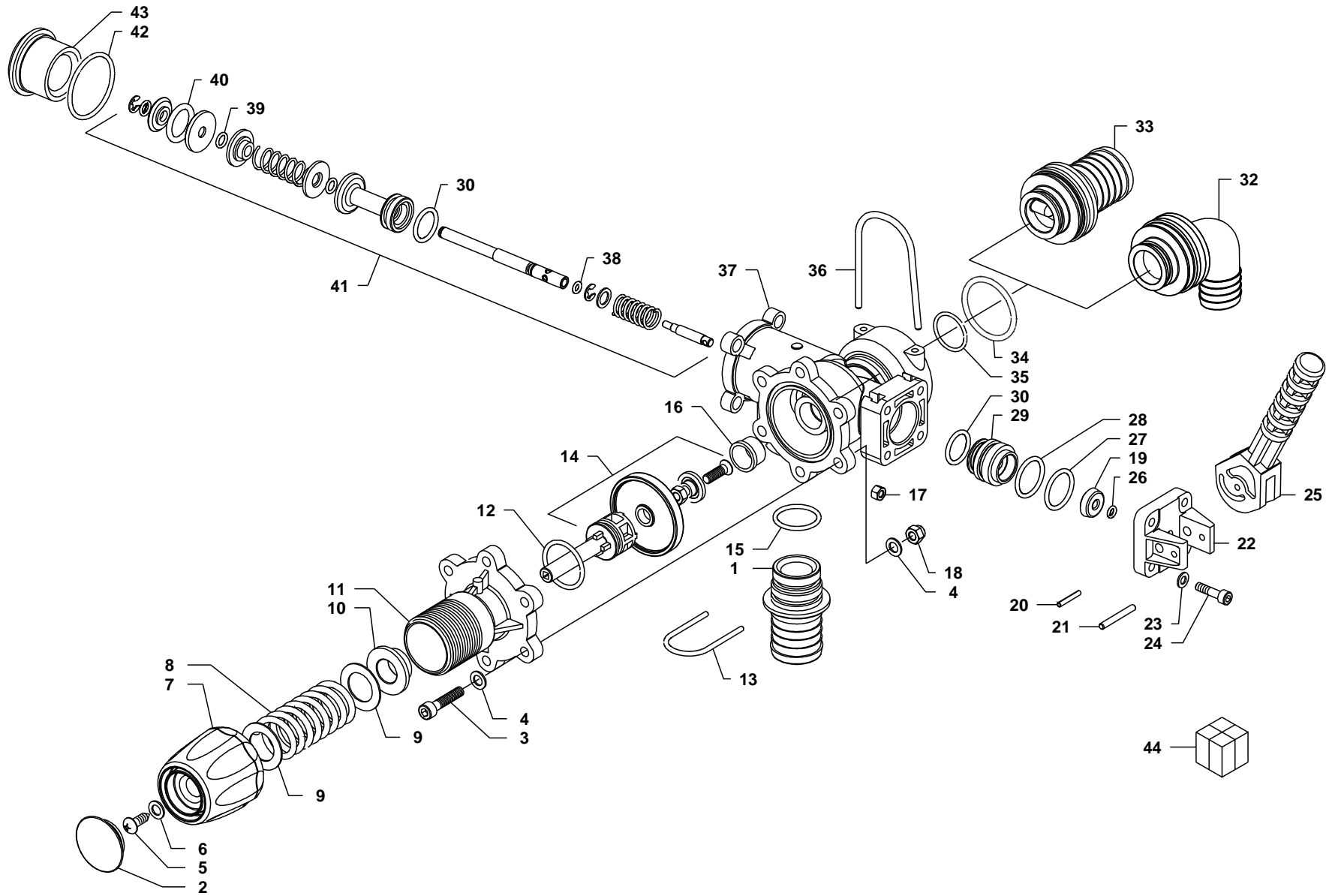


KIT 2334 OR O-Rings			
Pos.	Q.ty	Pos.	Q.ty
2	4	87	1
14	4	88	1
19	5	89	1
21	8	97	1
24	7	118	2
26	4	120	1
48	3	128	1
50	5		
58	3		
61	1		
73	4		

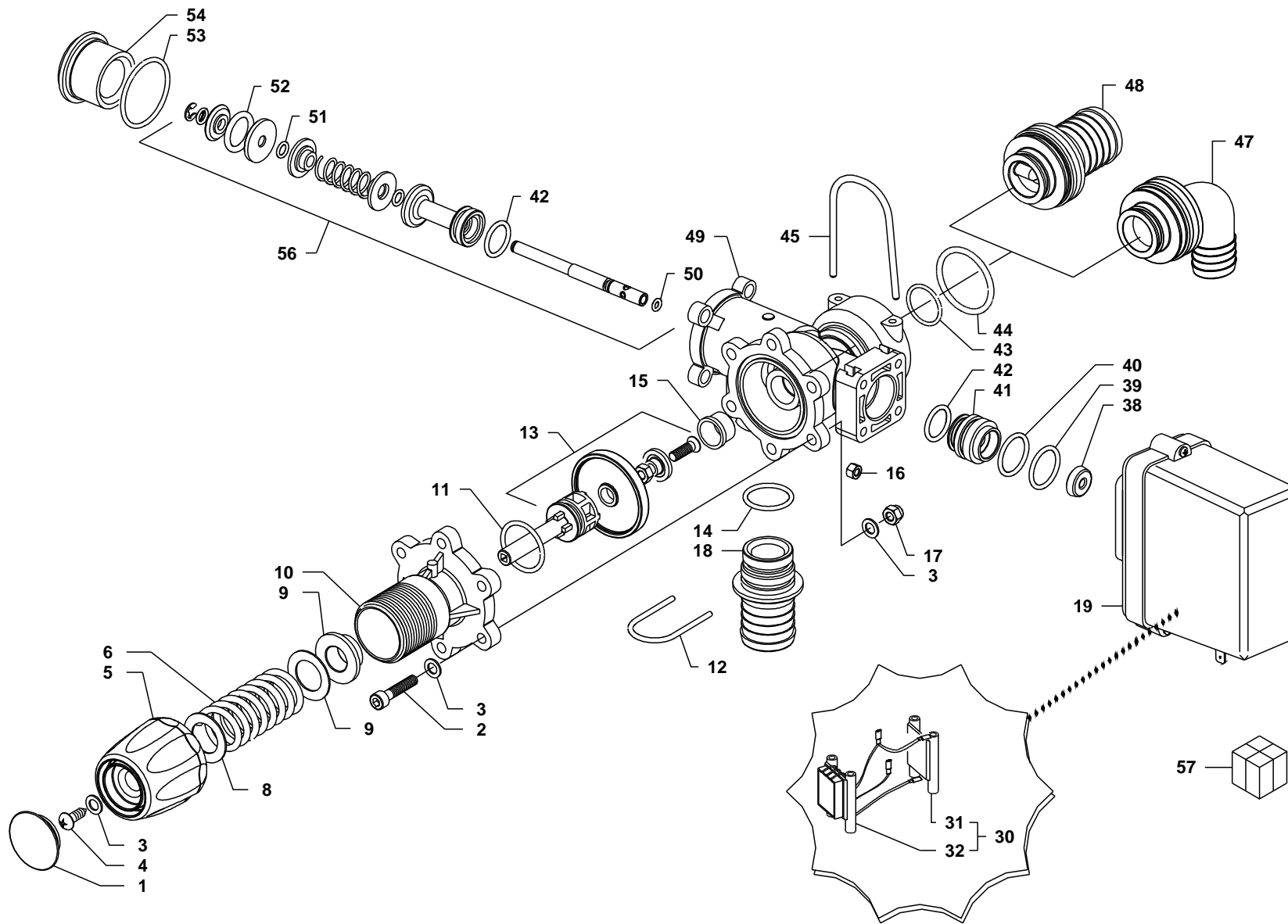
KIT 2335 Pronto intervento Maintenance repair			
Pos.	Q.ty	Pos.	Q.ty
2	4	60	1
11	2	61	1
12	2	73	4
14	4	87	1
18	4	98	2
22	2	115	1
24	7	118	2
39	1	122	1
51	1	124	1
55	1	128	1
58	3		



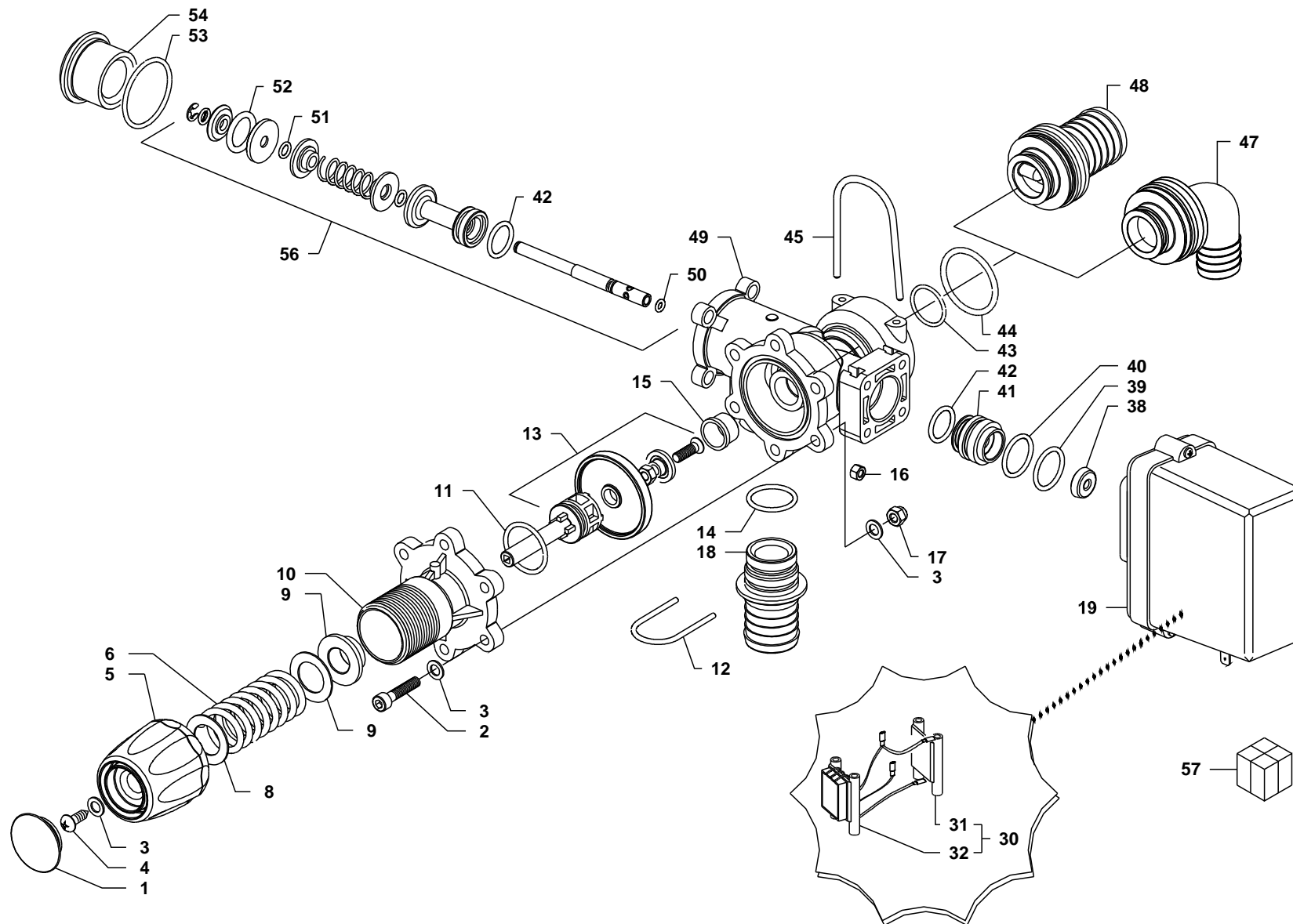
1	GGA473001.119	D= 19mm
1	GGA473001.125	D= 25mm
1	GGA473001.130	D= 30mm
1	GGA473001.132	D= 32mm
1	A- 473001.245N	1" NPT F
1	A- 473001.240	G 1" M
1	GGA473001.250	G 1" 1/4 M
2	A- 4542237.054	10 bar
2	BG002500	20 bar
2	A- 4542237.058	30 bar
3	A- V1C14K	
4	A- B201F0	
5	GGA00V2B26G	
6	A- B202F0	
7	A- 471501.170	10 bar
7	BG002498	20 bar
7	A- 471503.170	30 bar
8	A- 471501.120	10 bar
8	A- 471502.120	20 bar
8	A- 471503.120	30 bar
9	A- 471502.135	
10	A- 471502.130	
11	A- 471502.110	10-20 bar
11	A- 471503.110	30 bar
12	A- G10041V	
13	A- 461511.040	
14	A- 471502.180	
15	A- 4062000.060V	
16	A- 471202.012	
17	A- B10132	
18	A- B12141	
19	GGA465900.180	
20	A- B4313H	
21	A- 461202.090	
22	GGA461202.020	
23	A- B201E0	
24	A- V1C13I	
25	BG004126	
26	A- G11019V	
27	GGA465900.060	
28	GGA465005.140V	
29	A- 471202.011	
30	A- 004500.070V	
32	GGA471202.425	D= 25mm
32	A- 471202.430	D= 30mm
33	A- 471202.140	Blu / blue
33	A- 471202.141	Verde / Green
33	A- 471202.143	Verde / Green
33	A- 471202.145	Rosso / Red
33	GGA471202.325	D= 25mm



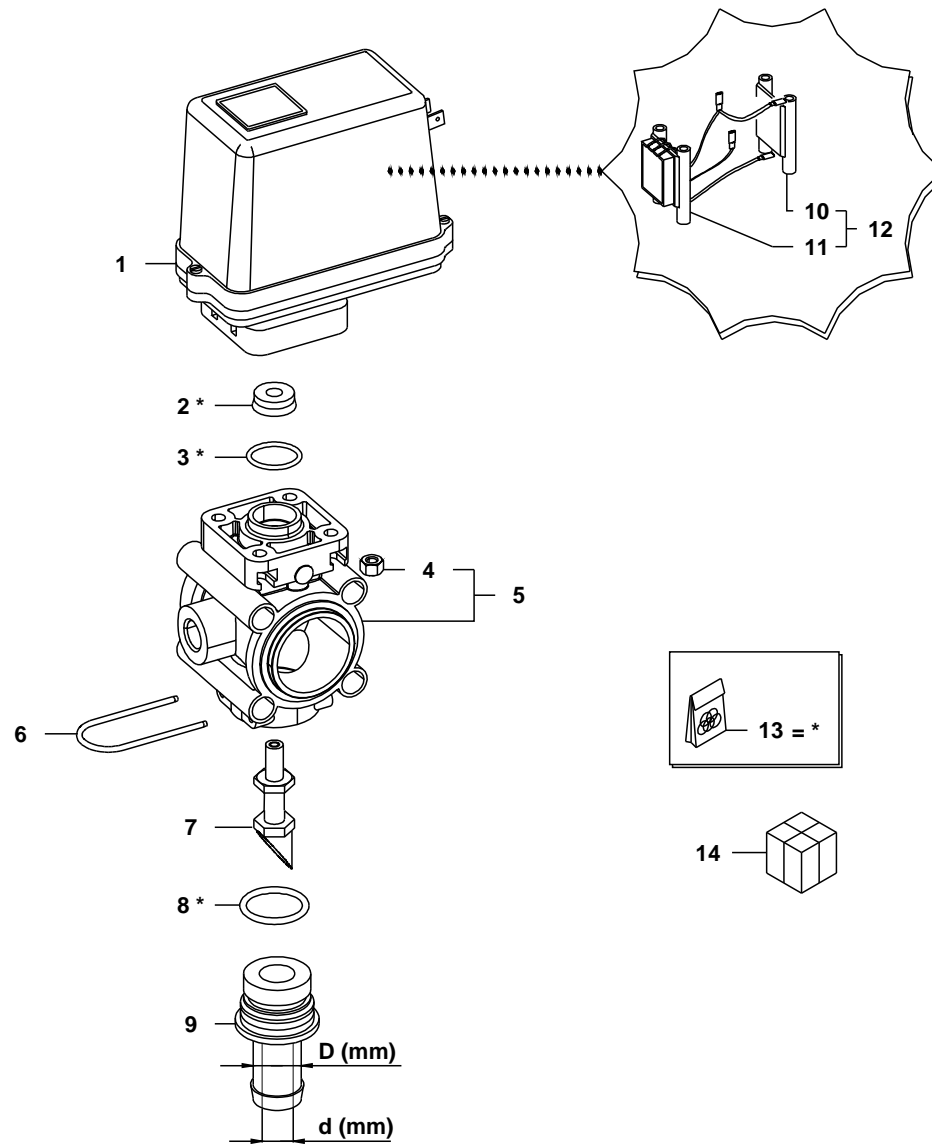
		
33	A- 471202.330	D=30mm
33	A- 471202.332	D=32mm
33	A- 471202.335	D=35mm
34	GGA460000.210V	
35	GGA00G10051V	
36	GGA460000.230	
37	GGA471502.010	
38	GGA00G11013V	
39	GGA465910.070V	
40	A- G11028V	
41	A- 471202.550	
42	GGA00G10071V	
43	A- 471202.028	F
43	A- 471202.029	M
44	BG013367	



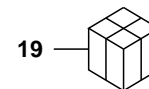
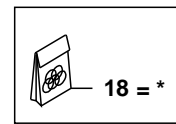
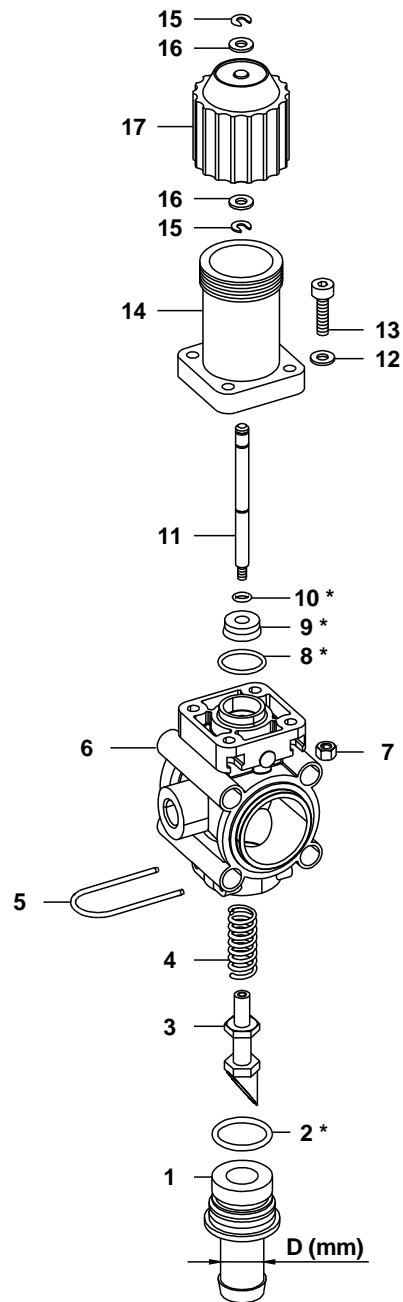
1	A- 4542237.054	10 bar
1	BG002500	20 bar
1	A- 4542237.058	30 bar
2	A- V1C24K	
3	A- B202F0	
4	GGA00V2B26G	
5	A- 471501.170	10 bar
5	BG002498	20 bar
5	A- 471503.170	30 bar
6	A- 471501.120	10 bar
6	A- 471502.120	20 bar
6	A- 471503.120	30 bar
8	A- 471502.135	
9	A- 471502.130	
10	A- 471502.110	10-20 bar
10	A- 471503.110	30 bar
11	A- G10041V	
12	A- 461511.040	
13	A- 471502.180	
14	A- 4062000.060V	
15	A- 471202.012	
16	A- B10232	
17	A- B12241	
18	GGA473001.119	D= 19mm
18	GGA473001.125	D= 25mm
18	GGA473001.130	D= 30mm
18	GGA473001.132	D= 32mm
18	A- 473001.245N	1" NPT F
18	A- 473001.240	G 1" M
18	GGA473001.250	G 1" 1/4 M
19	BG004017	
30	GGA4652900.020	
31	A- 4652900.021	
32	A- 4652900.025	
38	GGA465900.180	
39	GGA465900.060	
40	GGA465005.140V	
41	A- 471202.011	
42	A- 004500.070V	
43	GGA00G10051V	
44	GGA460000.210V	
45	GGA460000.230	
47	GGA471202.425	D= 25mm
47	A- 471202.430	D= 30mm
48	A- 471202.140	Blu / blue
48	A- 471202.141	Verde / Green
48	A- 471202.143	Verde / Green
48	A- 471202.145	Rosso / Red
48	GGA471202.325	D= 25mm
48	A- 471202.330	D= 30mm



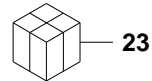
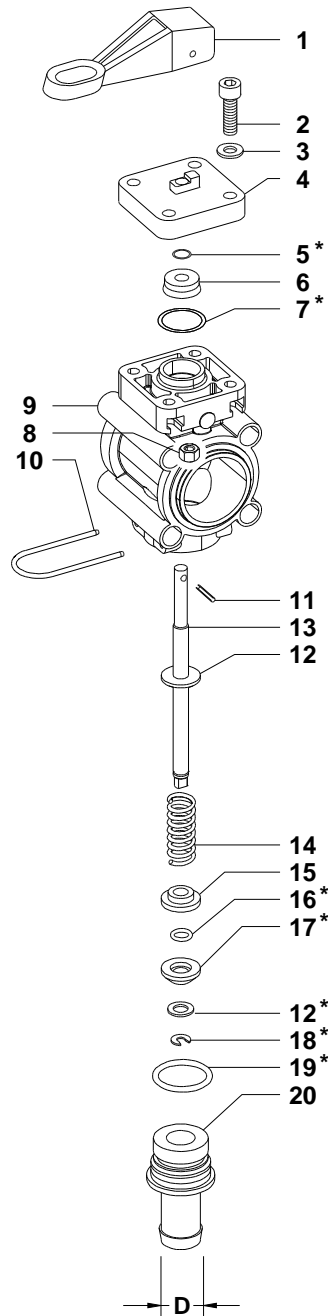
48	A- 471202.332	D=32mm
48	A- 471202.335	D=35mm
49	GGA471502.010	
50	GGA00G11013V	
51	GGA465910.070V	
52	A- G11028V	
53	GGA00G10071V	
54	A- 471202.028	(F)
54	A- 471202.029	(M)
55	A- 463911.100	
56	A- 471502.550	
57	BG013045	



1	GGA004653925	
2	GGA465900.180	
3	GGA465900.060	
4	A-B10232	
5	A-4631001.010	
6	GGA462300.040	
7	A-463020.130	GGA00463020
7	GGA463022.130	GGA00463022
7	A-463024.130	GGA00463024
8	GGA465005.140V	
9	GGA463001.119	d=14 D=19
9	GGA463001.125M	d=14 D=25
9	A-463022.113	d=10 D=13
9	A-463001.125	d=16 D=25
10	A-4652900.021	
11	A-4652925.025	
12	A-4652925020	
13	GGA463020.500	
14	GGA00463020	100 l/min
14	GGA00463022	60 l/min
14	GGA00463024	150 l/min

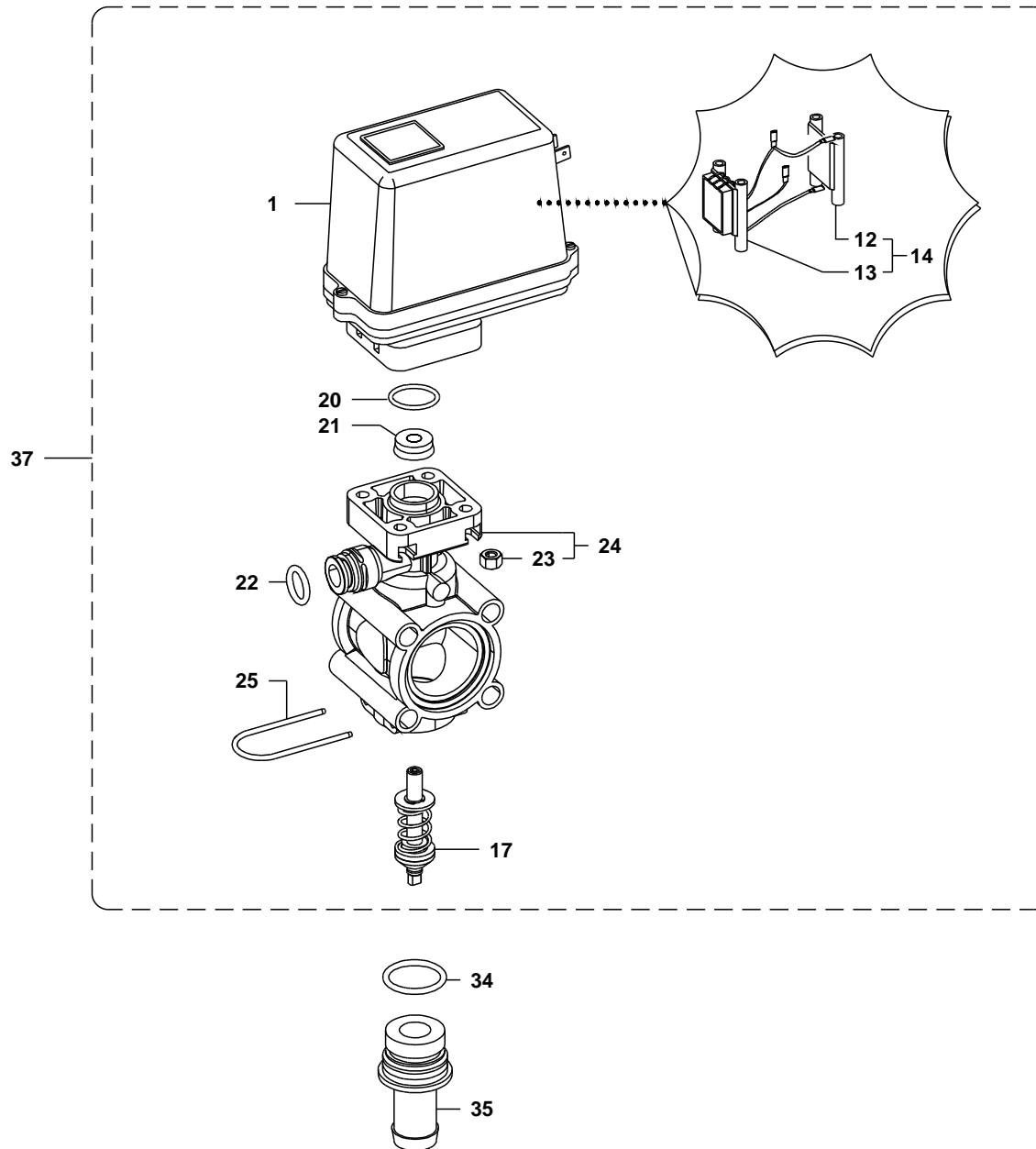


1	GGA463001.125M	D=25 (463070)
1	A- 463022.113	D=13 (463072)
1	GGA463001.125	D=25 (463074)
2	GGA465005.140V	
3	A- 463020.130	GGA00463070
3	GGA463022.130	GGA00463072
3	A- 463024.130	GGA00463074
4	A- 471202.055	
5	GGA462300.040	
6	A- 4631001.010	
7	A- B10232	
8	GGA465900.060	
9	GGA465900.180	
10	A- G11019V	
11	A- 463070.140	
12	A- B202E0	
13	GGA00V1C23I	
14	A- 463070.060	
15	A- B352D0	
16	A- B202FI	
17	GGA463070.050	
18	A- 463070.500	
19	GGA00463070	100 l/min
19	GGA00463072	60 l/min
19	GGA00463074	150 l/min

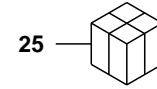
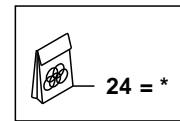
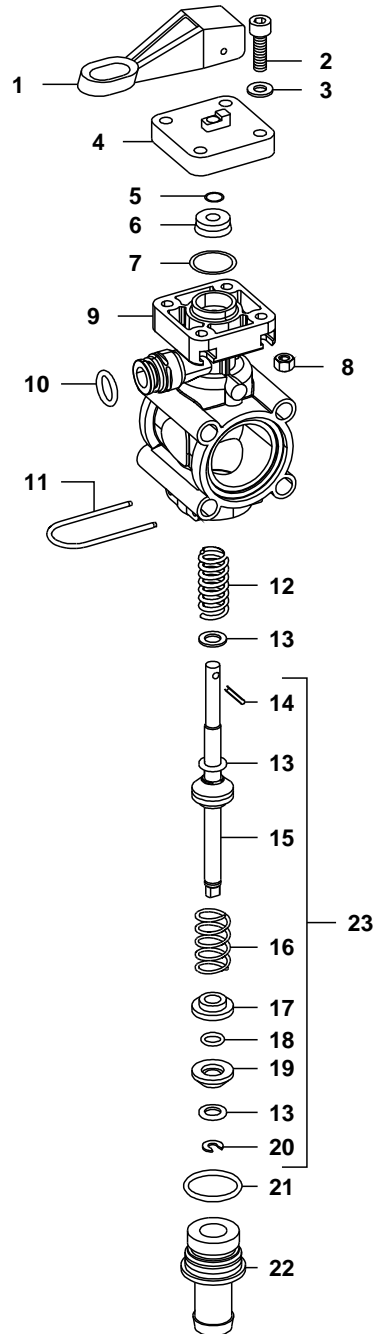


* = 22

1	GGA463051.140	
2	A- V1C13I	
3	A- B201E0	
4	A- 463051.130	
5	A- G11019V	
6	GGA465900.180	
7	GGA465900.060	
8	A- B10132	
9	BB602463001010	
10	GGA462300.040	
11	A- B4023H	
12	A- B202G0	
13	A- 463051.040	
14	A- 463051.050	
15	BB602463001030	D= 10 mm
16	GGA465910.070V	D= 13 mm
17	GGA463001.060	D= 16 mm
18	A- B352D0	D= 19 mm
19	GGA465005.140V	D= 25 mm
20	BG019226	
20	BG010589	
20	GGA463001.116	
20	GGA463001.119	
20	GGA463001.125M	
22	A- 463051.500	
23	GGA00463051	



1	BG018867	
1	BG004017	"Velox"
12	A- 4652900.021	
13	A- 4652900.025	
14	GGA4652900.020	
20	GGA465900.060	
21	GGA465900.180	
22	A- 004352.050V	
23	A- B10232	
24	GGA463011.010	
25	GGA462300.040	
33	BG009269	
34	GGA465005.140V	
35	GGA463001.110	D= 10 mm
35	GGA463001.113	D= 13 mm
35	GGA463001.116	D= 16 mm
35	GGA463001.119	D= 19 mm
35	GGA463001.125M	D= 25 mm
37	A- 463011.910	
37	A- 463011S.910	"Velox"



1	GGA463051.140	
2	A- V1C13I	
3	A- B201E0	
4	A- 463051.130	
5	A- G11019V	
6	GGA465900.180	
7	GGA465900.060	
8	A- B10132	
9	A- 4630011.010	
10	A- 004352.050V	
11	GGA462300.040	
12	A- 463051.050	
13	A- B202G0	
14	A- B4023H	
15	A- 463061.040	D=10 mm
16	A- 463001.050	D=13 mm
17	A- 463001.030	D=16 mm
18	GGA465910.070V	D=19 mm
19	GGA463001.060	D=25 mm
20	A- B352D0	
21	GGA465005.140V	
22	GGA463001.110	
22	GGA463001.113	
22	GGA463001.116	
22	GGA463001.119	
22	GGA463001.125M	
23	A- 463061.550	
24	A- 463061.500	
25	GGA00463061	

**FILTRI IN LINEA FLANGIATI 463 - FLANGED LINE FILTERS FOR 463 SERIES
 FILTRES BRIDES EN LIGNE POUR SERIE 463 - FILTROS EN LINEA PARA BRIDAS 463
 FLANSCH-DRUCKFILTER FÜR SERIE 463 - FILTROS EM LINHA FLANGEADOS POR SERIE 463**

3269113-m00

